

# PRODUCT OVERVIEW

SERVOPRO PureGas

SAFE AREA



Outlet impurity levels for O<sub>2</sub>, H<sub>2</sub>O, CO, CO<sub>2</sub>, H<sub>2</sub>, CH<sub>4</sub> and N<sub>2</sub> are reduced to low parts per billion (ppb) levels or below.

The patented Getter alloy operated at elevated temperatures, removes impurities by forming irreversible chemical bonds. Impurities will not be released under any circumstances when the purifier is operated within specification.

**THE SERVOPRO PUREGAS IS A GETTER-BASED UNIT DESIGNED FOR THE PURIFICATION OF CARRIER GASES (HELIUM AND ARGON) AND OTHER ANALYTICAL APPLICATIONS**

## STANDARD FEATURES

- Deep blue anodized exterior maintains a 45°C/113°F surface temperature
- Efficient ceramic fiber insulation with encapsulated heater coil
- 20µm sintered filter on inlet and outlet
- 1/8" compression fittings (optional 1/8" VCR)

### PROCESS GAS SPECIFICATION

Max flow rate (maximum purified gas delivered)	1,000ml/min
Nominal flow rate	200ml/min
Minimum flow rate*	20ml/min
Maximum inlet pressure	10.3 barg (~150 psig)
Maximum pressure drop at 6.2barg (90psig) inlet pressure and maximum rated flow	< 1.0 psig
Inlet gas temperature (min-max)	0°C to +35°C/+32°F to +95°F
Outlet gas temperature (maximum)	<50°C/122°F

\* The minimum flow is the lowest flowrate at which Servomex will guarantee that outlet gas purity will be met as well as the minimum flow that must be available from the supply to comply with the specification.



## KEY APPLICATIONS

- Purification of carrier gases for gas chromatography (GC)
- Other analytical applications where ultra high purity helium or argon are required

## USEFUL LINKS



For more information please visit us  
**Visit [servomex.com/contact](http://servomex.com/contact)**



SERVOMEX.COM

**SERVOMEX**  
a spectris company

# TECHNICAL DATA SHEET

## SERVOPRO PureGas



### SPECIFICATIONS

FACILITIES REQUIREMENTS ELECTRICAL			
Installed Power (Customer to specify voltage at time of order)	120V ac, 1 Phase, 50/60 Hz 220V ac, 1 Phase, 50/60 Hz		
Plug Style (Customer to specify which power plug is required in their area at time of order)	USA (120V ac) EU (220V ac) UK (220V ac)		
FACILITIES REQUIREMENTS GENERAL			
Indoor installation, ambient temperature (min-max)	0°C to +35°C (+32°F to +95°F)		
PERFORMANCE			
Impurity	Inlet purity requirements (5.0 gas)	Outlet purity level (1/8" swg)	Outlet purity level (1/8" VCR)
O <sub>2</sub>	0-<2,000ppb	<10ppb	<1ppb
H <sub>2</sub> O	0-<2,000ppb	<10ppb	<1ppb
CO	0-<500ppb	<10ppb	<1ppb
CO <sub>2</sub>	0-<100ppb	<10ppb	<1ppb
H <sub>2</sub>	0-<100ppb	<10ppb	<1ppb
CH <sub>4</sub>	0-<300ppb	<10ppb	<1ppb
N <sub>2</sub>	0-<4,000ppb	<10ppb	<1ppb
PHYSICAL			
Height	312mm (~12.3") 347mm (~13.67") [optional VCR connections]		
Width	112mm (~4.4")		
Weight	1.8kg (~4lbs)		
UTILITIES			
Feed gas inlet	1/8" Swagelok fittings (optional 1/8" VCR)		
Purified gas outlet	1/8" Swagelok fittings (optional 1/8" VCR)		
Heater power consumption	40W (136.5 BTU/h)		
Particulate filter	20µm sintered filter on inlet and outlet		
Gas wetted surface finish	Up and downstream of Getter Vessels = 304L SST, all welded construction		

### COMPLIANCE

EC DIRECTIVES	This product complies with the EMC Directive, the Low Voltage Directive, and all other applicable directives.
ELECTRICAL SAFETY	Electrical safety to IEC 61010-1 Rated for "Overvoltage Category II" and "Pollution Degree 2"

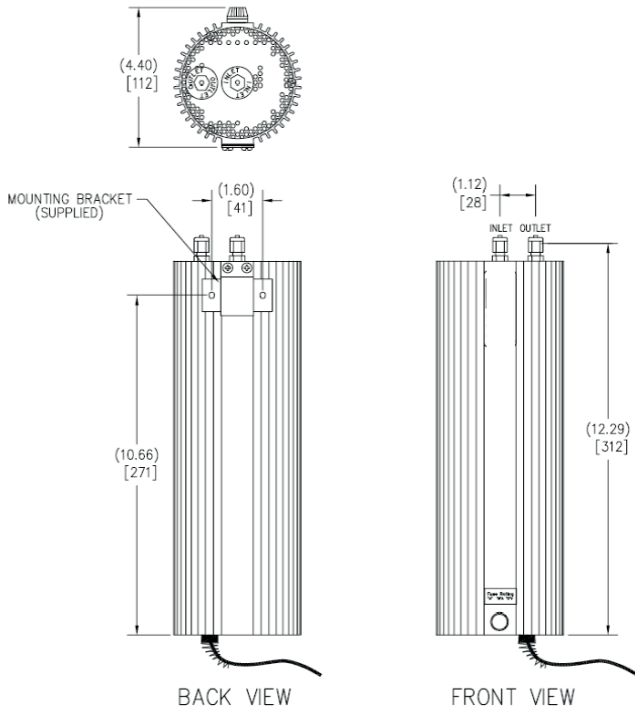
The performance specification has been written and verified in accordance with the international standard IEC 61207-1:1994 "Expression of performance of gas analyzers"



SERVOMEX.COM

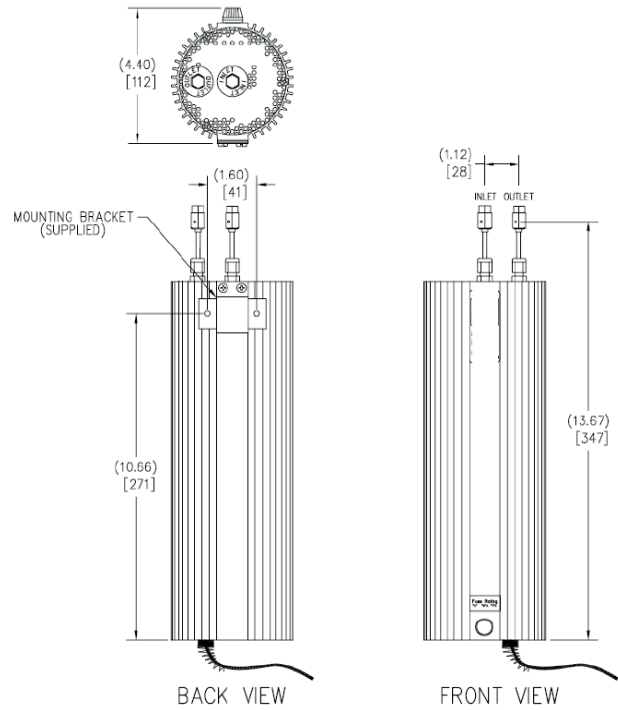
**SERVOMEX**   
a spectris company

**DIMENSIONAL DRAWINGS**



(STANDARD INLET/OUTLETS)

**Overall and fixing dimensions - standard**



(OPTIONAL VCR INLET/OUTLETS)

**Overall and fixing dimensions - VCR**



# > WE'RE READY TO HELP

WHATEVER YOUR GAS ANALYSIS REQUIREMENTS, WHEREVER YOU ARE

*These analyzers are not intended for any form of use on humans and are not medical devices as described in the Medical Devices Directive 93/42EEC.*

**Please note:** *Whilst every effort has been made to ensure accuracy, no responsibility can be accepted for errors and omissions. Data may change, as well as legislation, and you are strongly advised to obtain copies of the most recently issued regulations, standards and guidelines. This document is not intended to form the basis of a contract.*

Servomex has a policy of constant product improvement and reserves the right to change specifications without notice. © Servomex Group Limited. 2021. A Spectris company. All rights reserved.