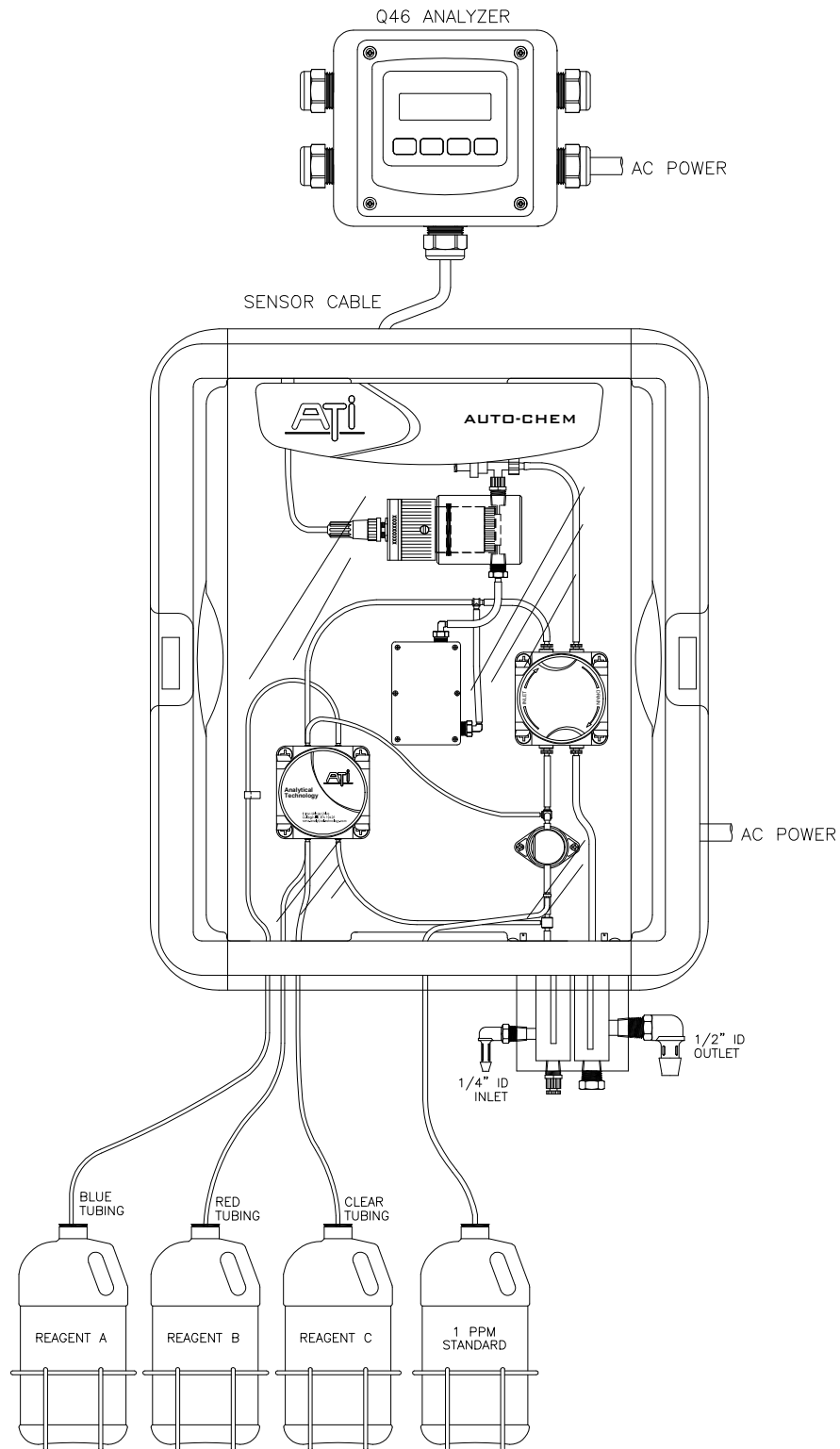
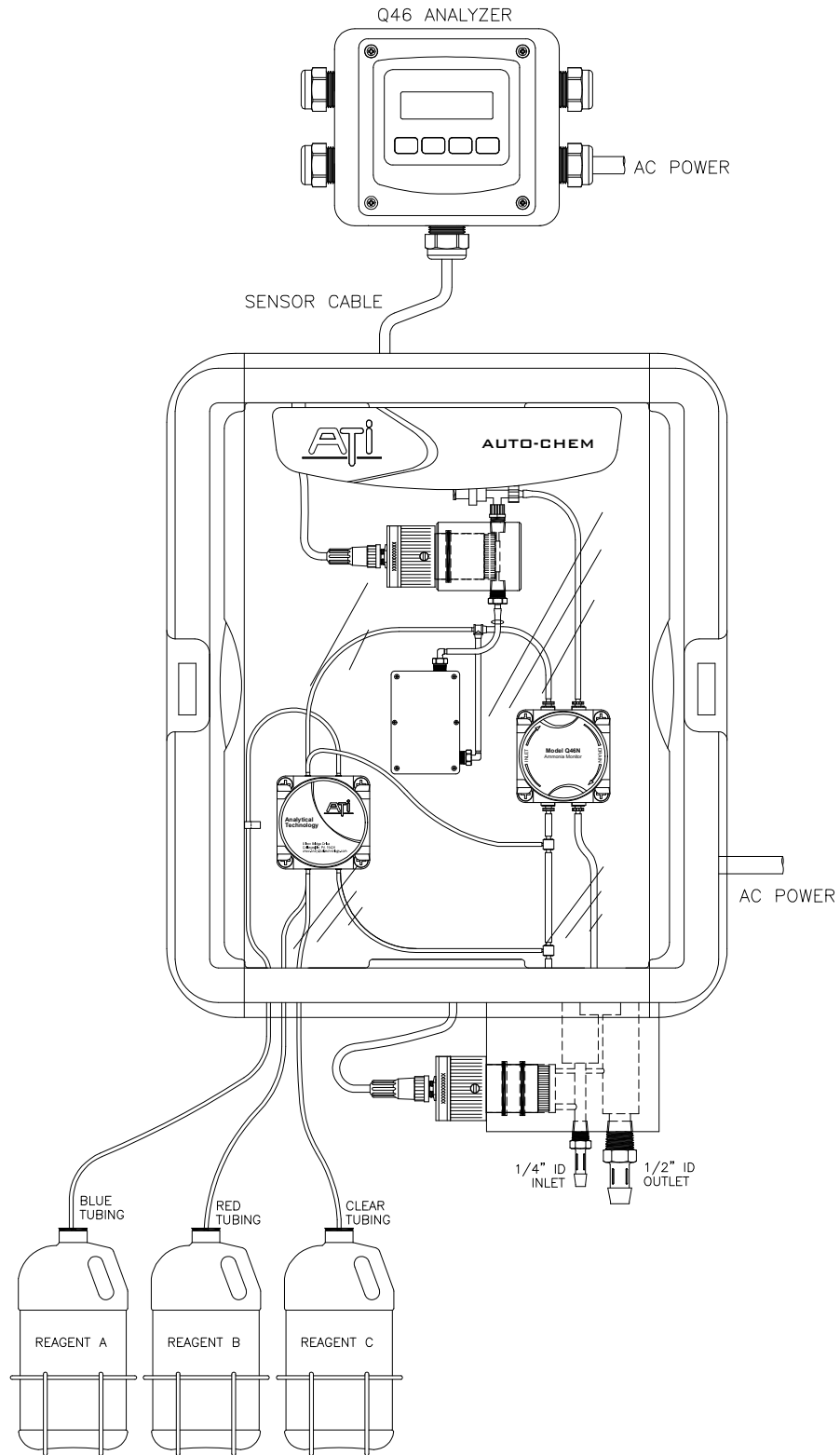


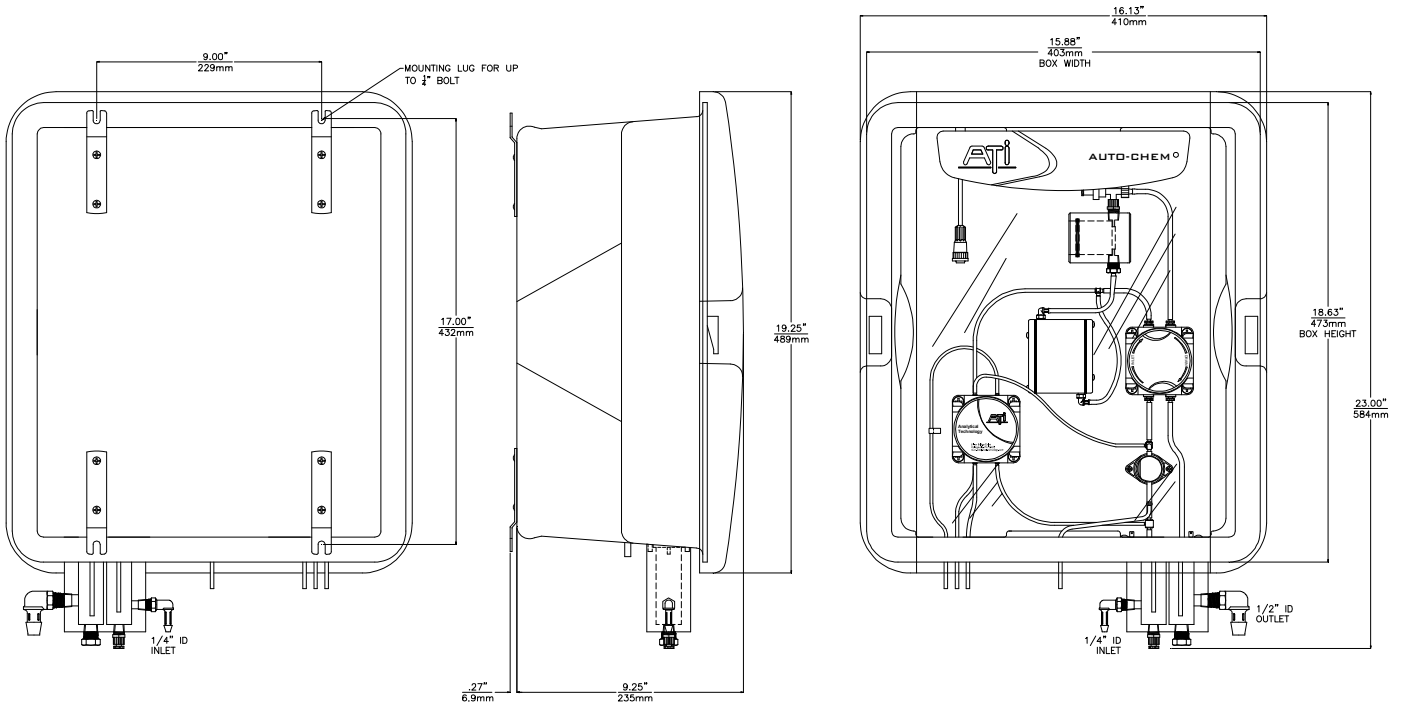
TOTAL AMMONIA TYPICAL SYSTEM DIAGRAM



FREE AMMONIA TYPICAL SYSTEM DIAGRAM

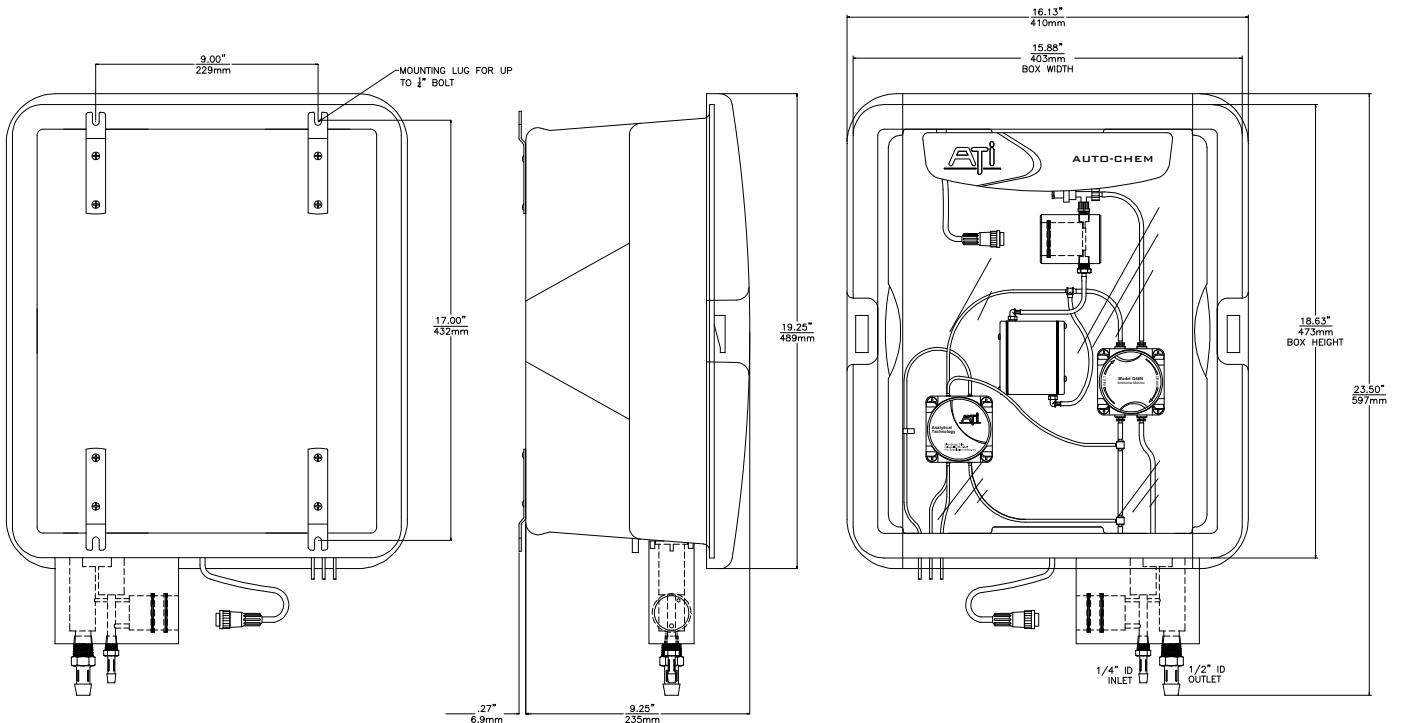


TOTAL AMMONIA AUTOCHEM DIMENSIONAL



ATI-1058

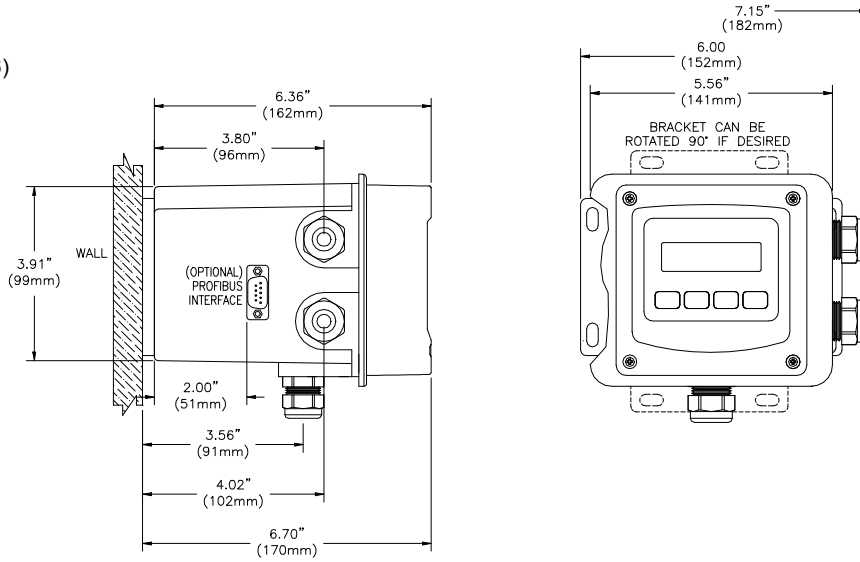
FREE AMMONIA AUTOCHEM DIMENSIONAL



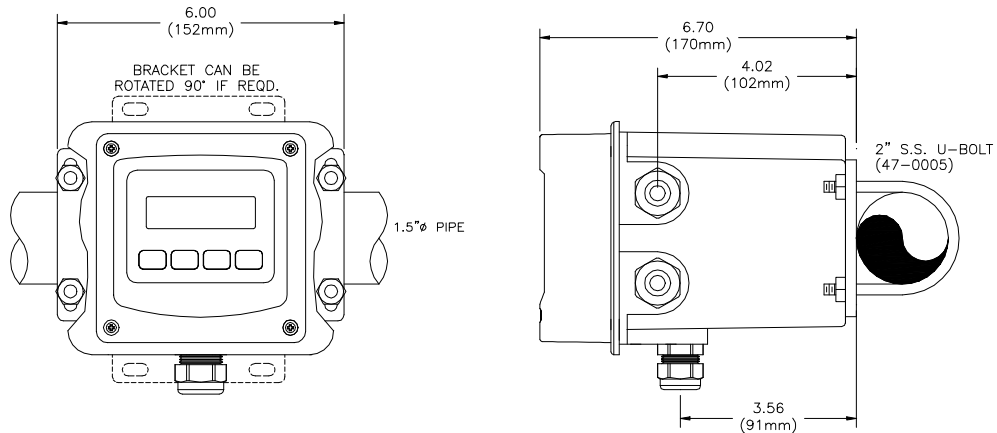
ATI-1060

WALL MOUNTING

Material: Polycarbonate
 Ratings: Nemz 4X (IP-66)
 V-0 Fire Retardant

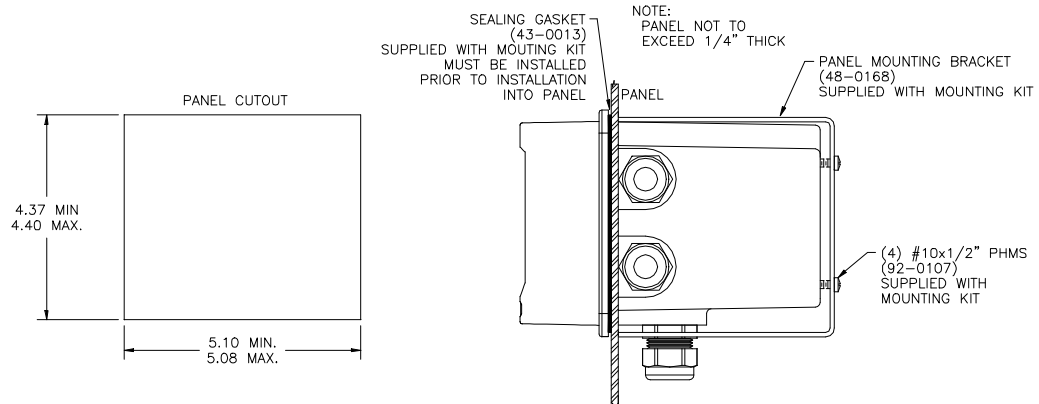


PIPE MOUNTING



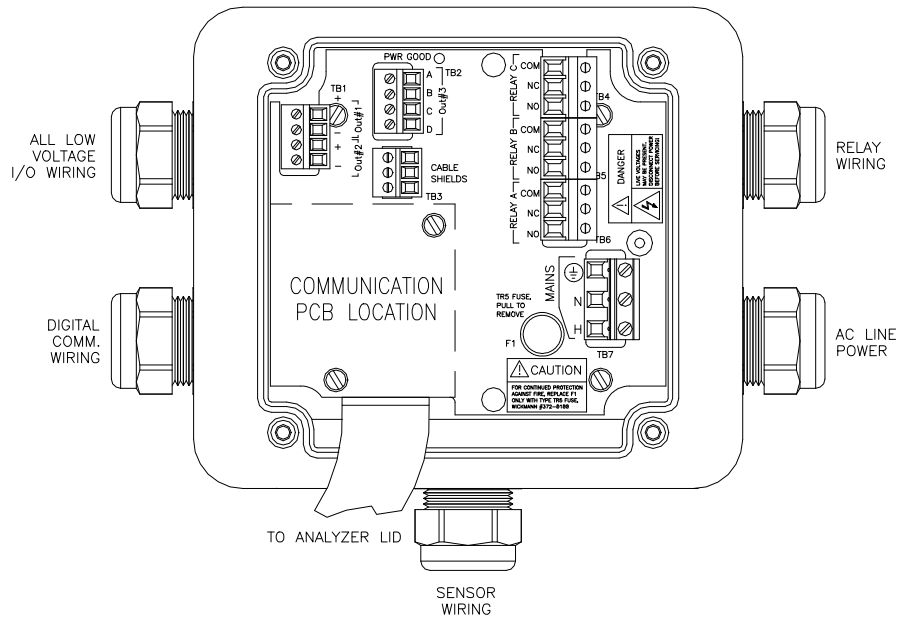
ATI-0927

PANEL MOUNTING



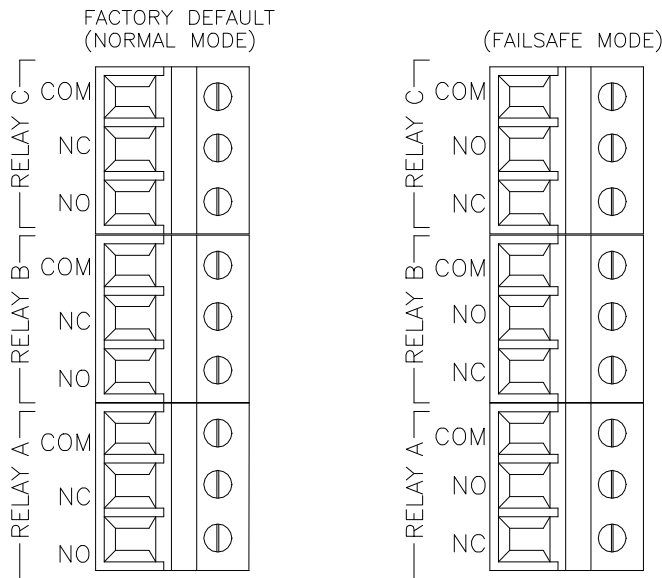
ATI-0928

POWER AND RELAY CONNECTIONS



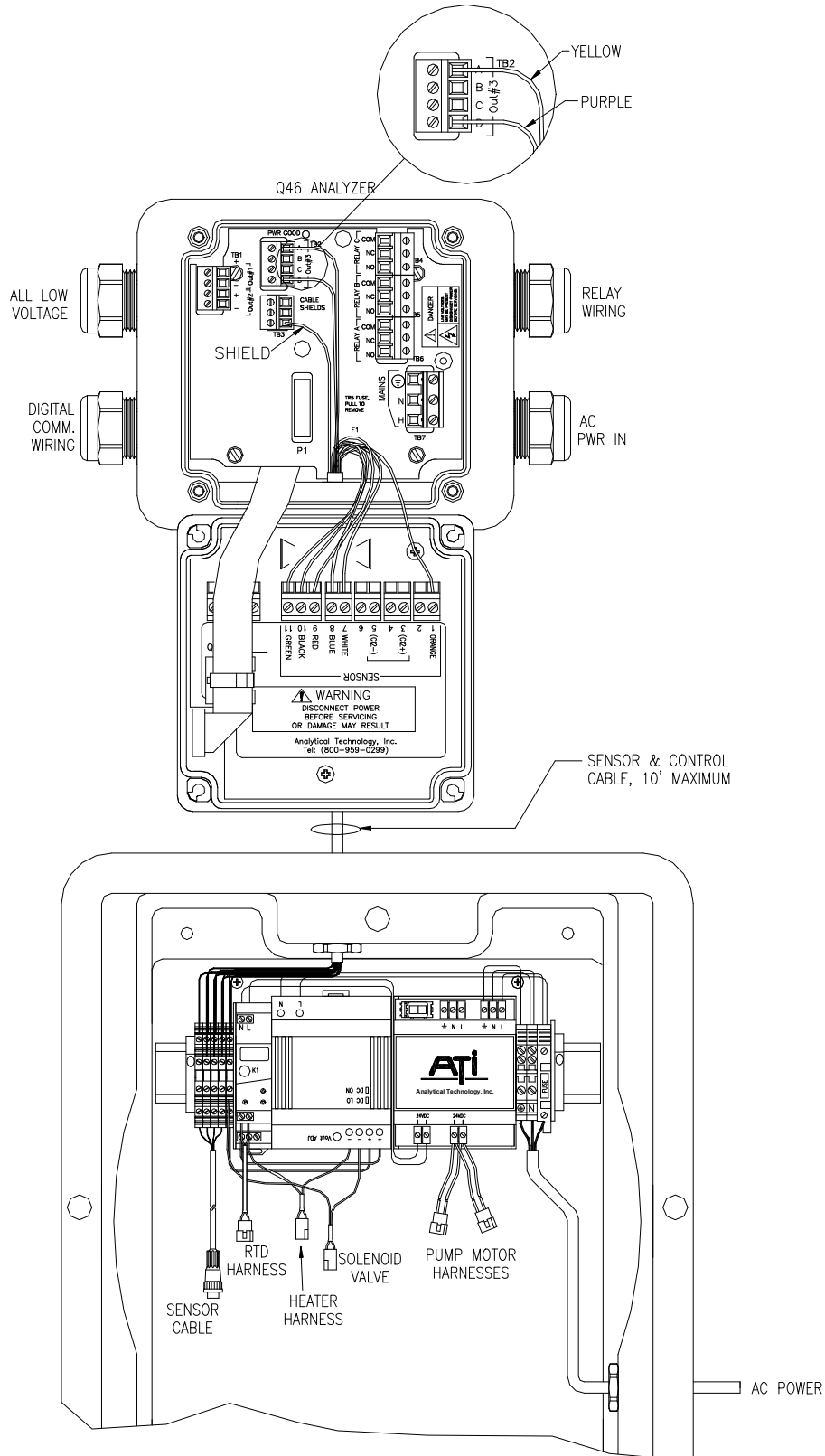
ATI-0930

RELAY WIRING TB4,5,6 DETAIL



ATI-0931

TOTAL AMMONIA CUSTOMER CONNECTIONS



FREE AMMONIA CUSTOMER CONNECTIONS

