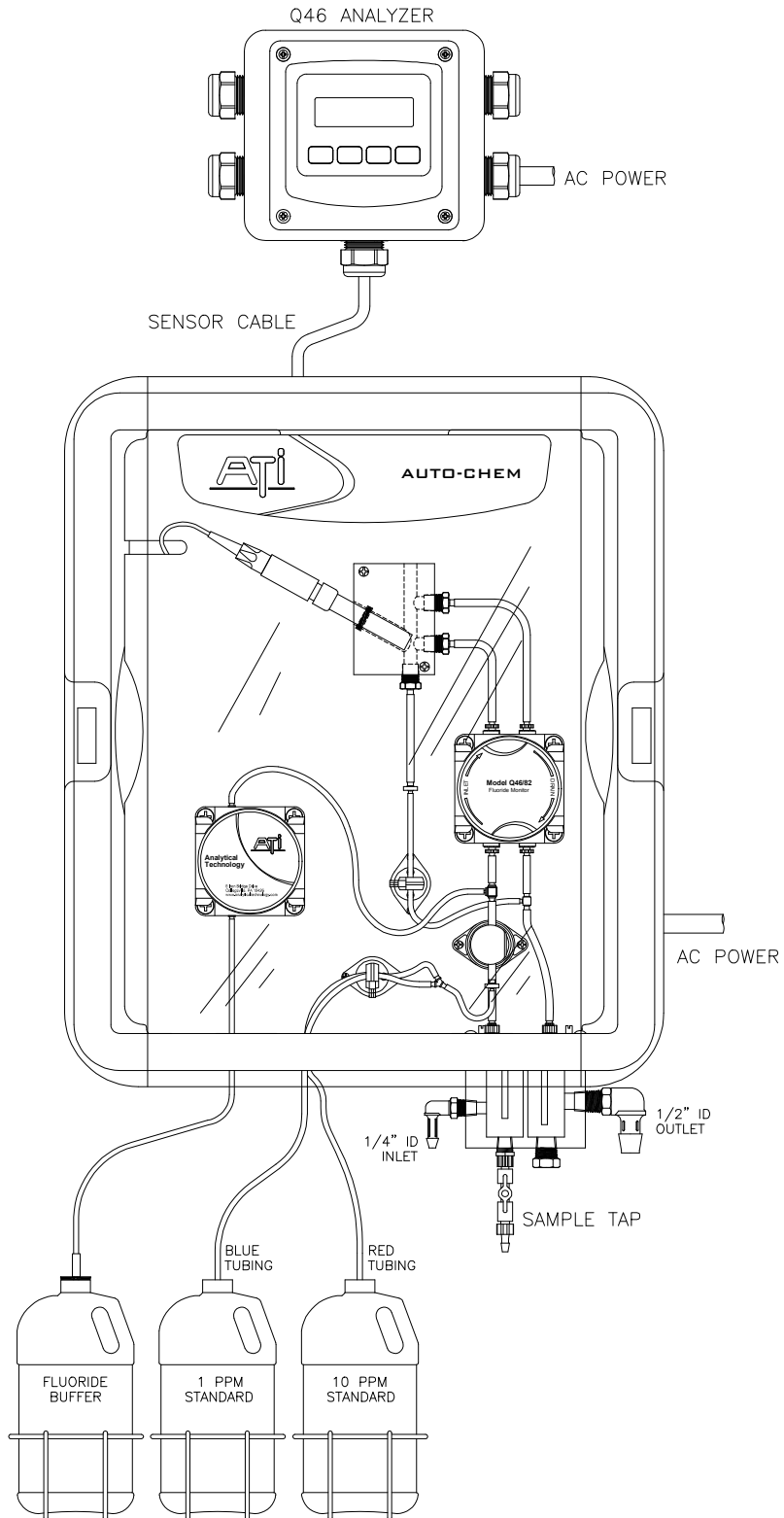
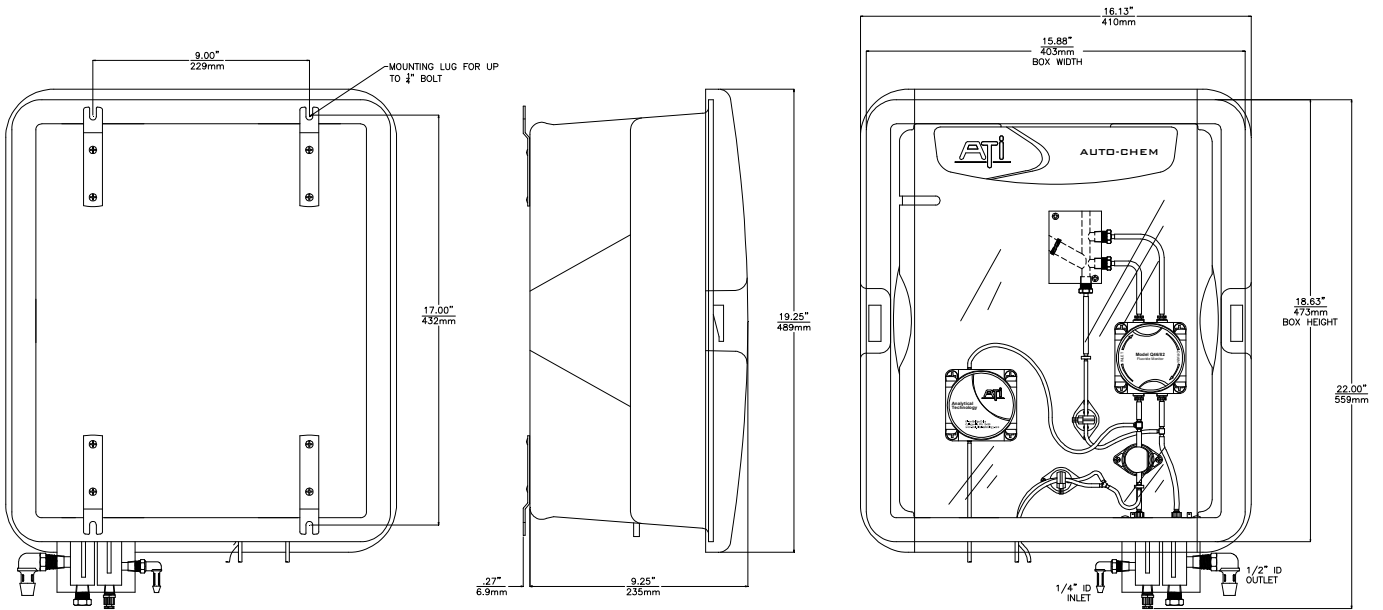


TYPICAL SYSTEM DIAGRAM



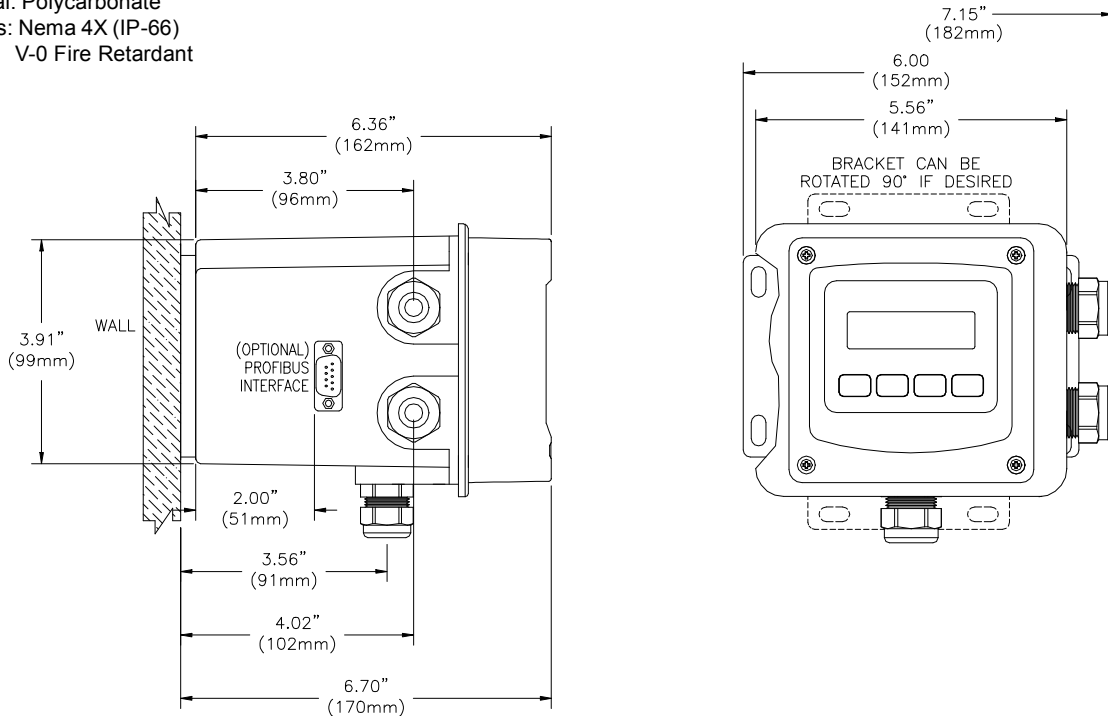
CHEMISTRY MODULE DIMENSIONAL



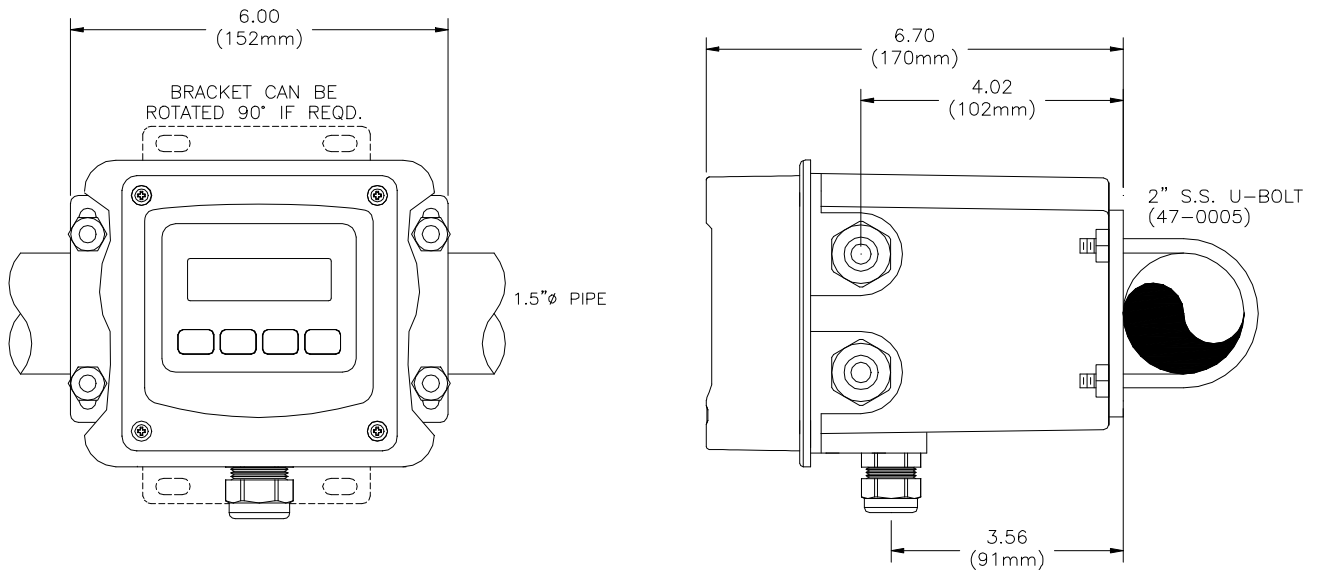
ATI-1007

ANALYZER DIMENSIONS (WALL MOUNT SHOWN)

Material: Polycarbonate
 Ratings: Nema 4X (IP-66)
 V-0 Fire Retardant

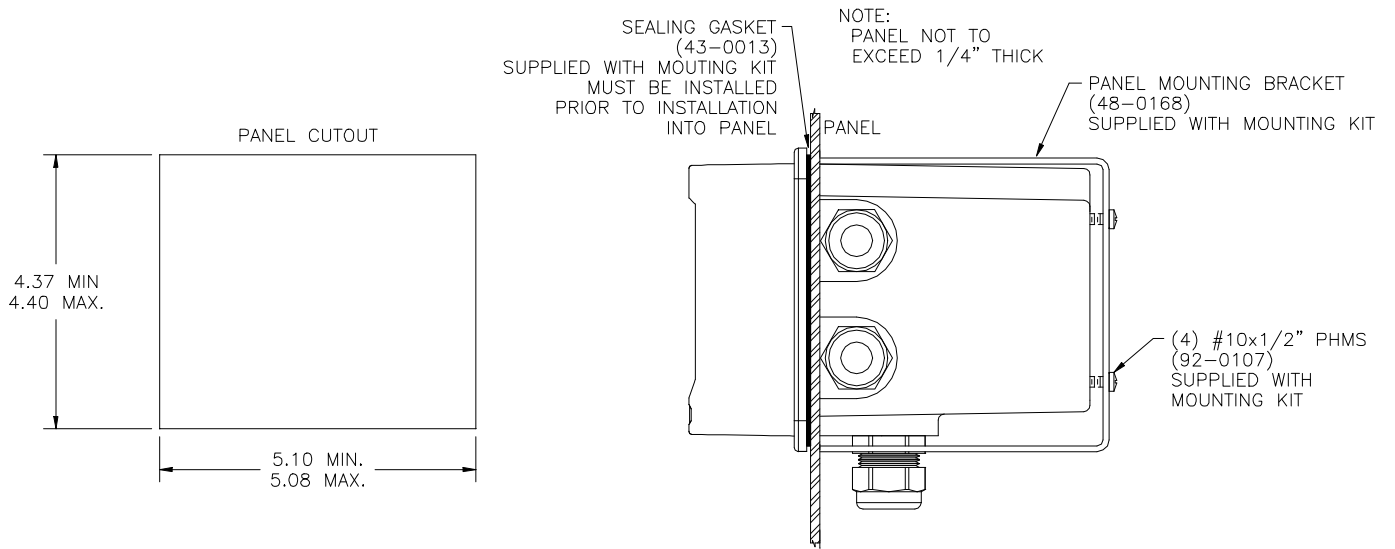


PIPE MOUNTING



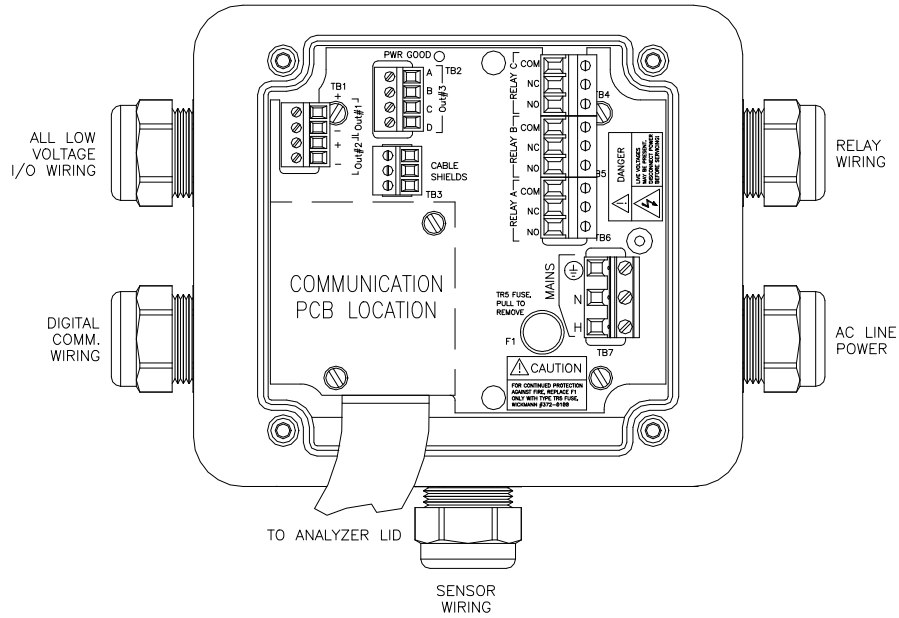
ATI-0927

PANEL MOUNTING



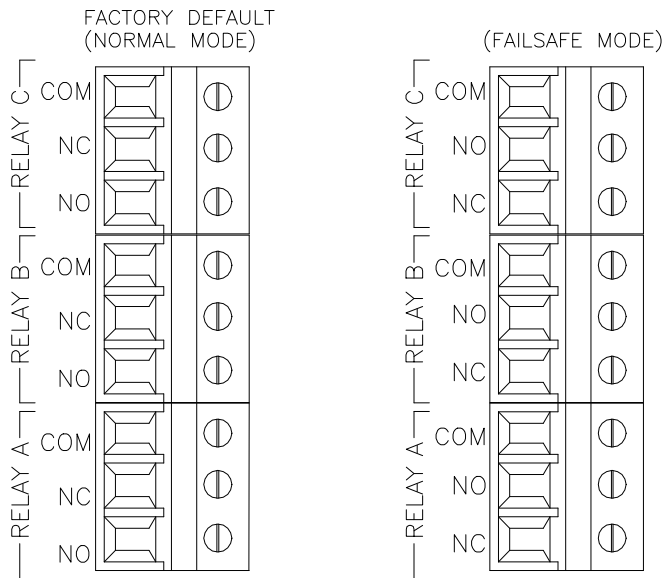
ATI-0928

POWER AND RELAY CONNECTIONS



ATI-0930

RELAY WIRING TB4,5,6 DETAIL



ATI-0931

