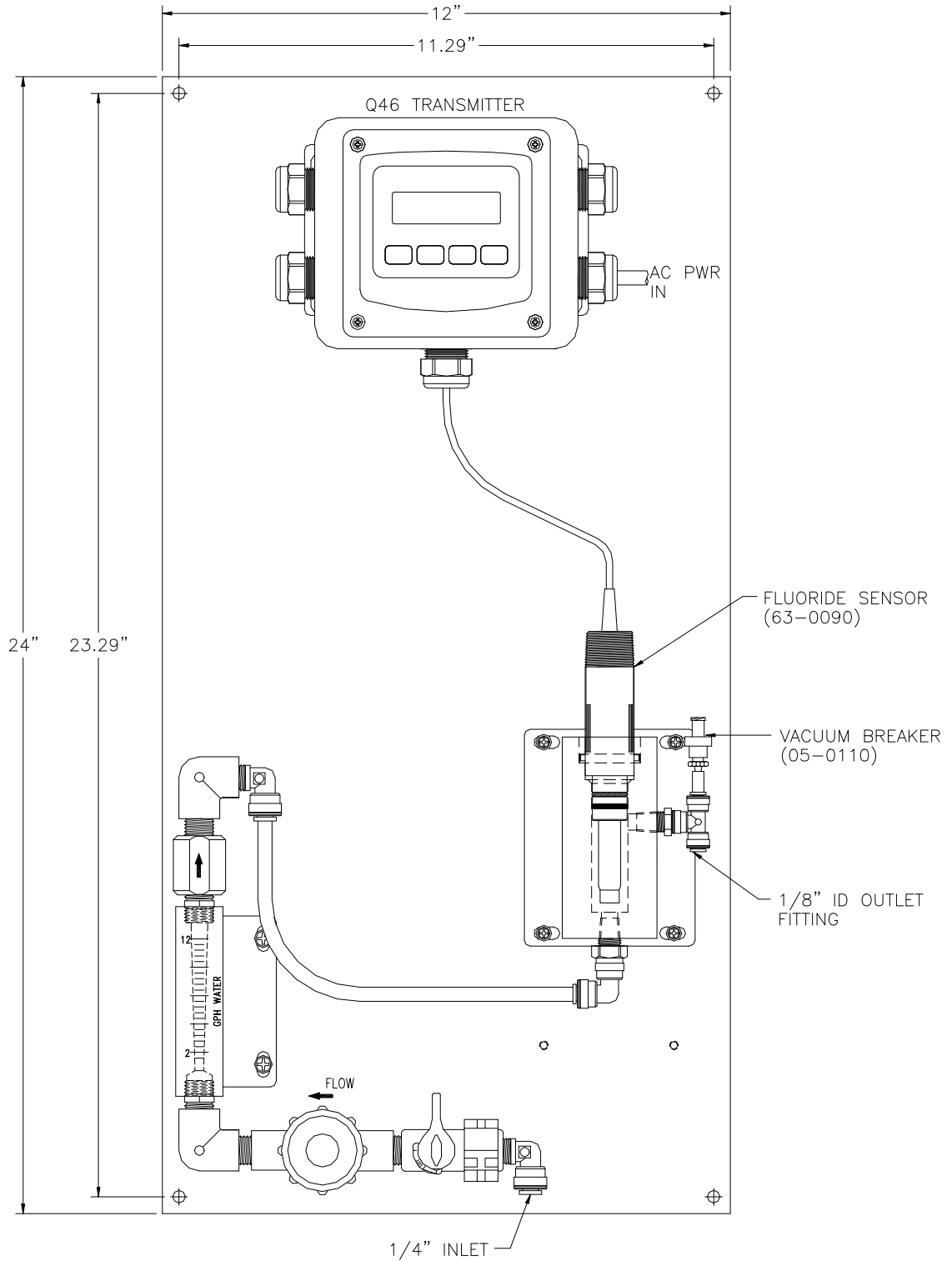


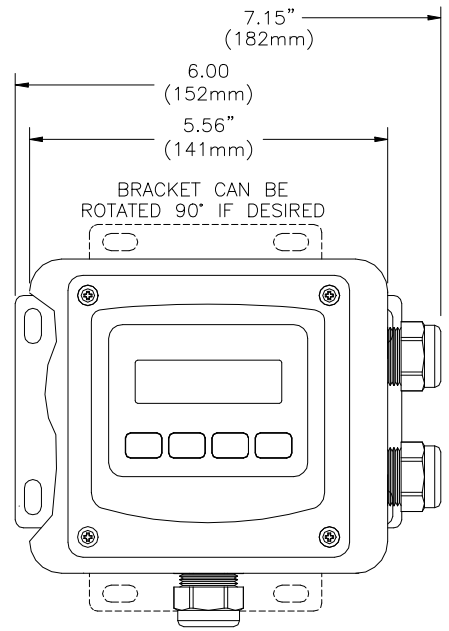
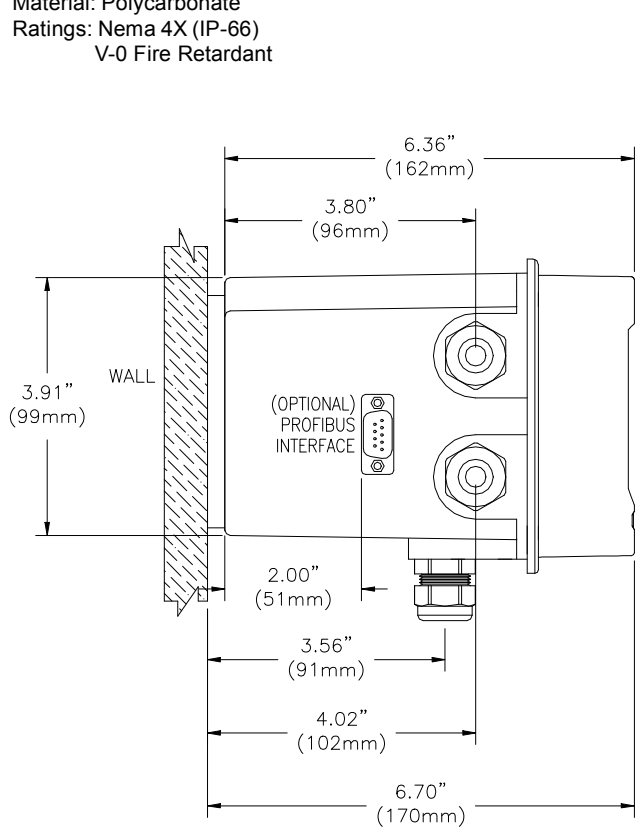
SYSTEM DIAGRAM w/OPTIONAL MOUNTING PLATE



ATI-1050

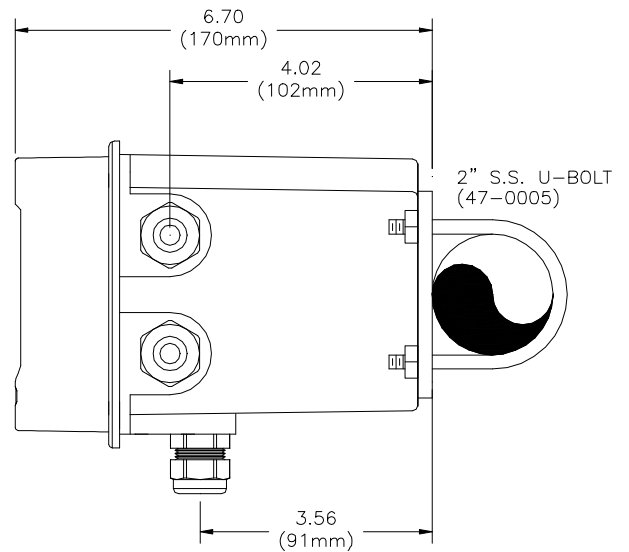
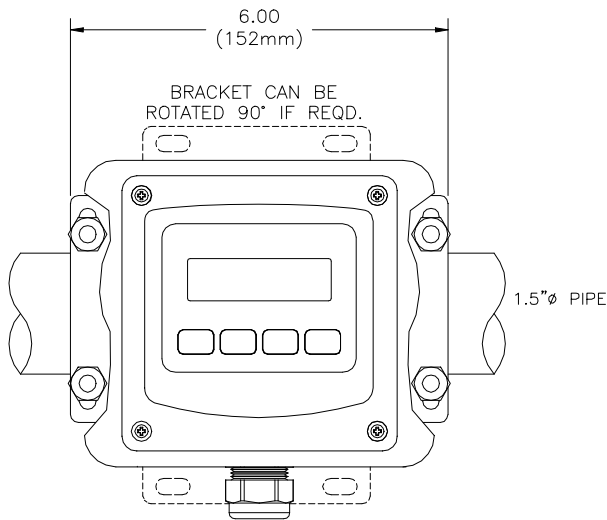
ANALYZER DIMENSIONS - WALL MOUNT

Material: Polycarbonate
 Ratings: Nema 4X (IP-66)
 V-0 Fire Retardant



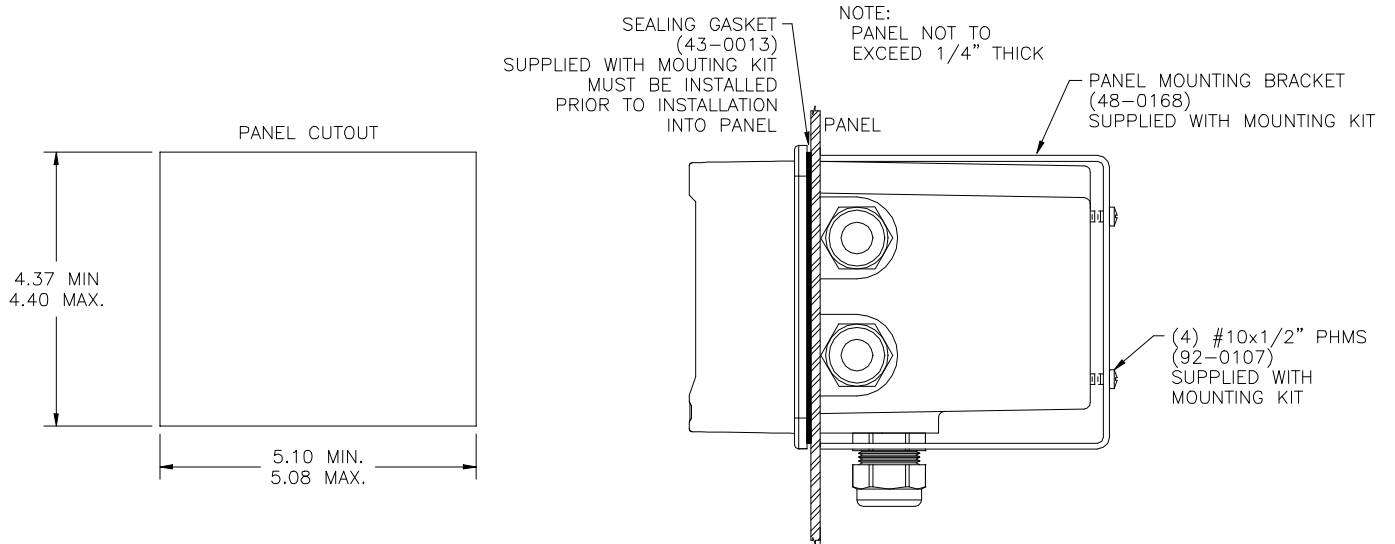
ATI-0926

ANALYZER DIMENSIONS - PIPE MOUNTING



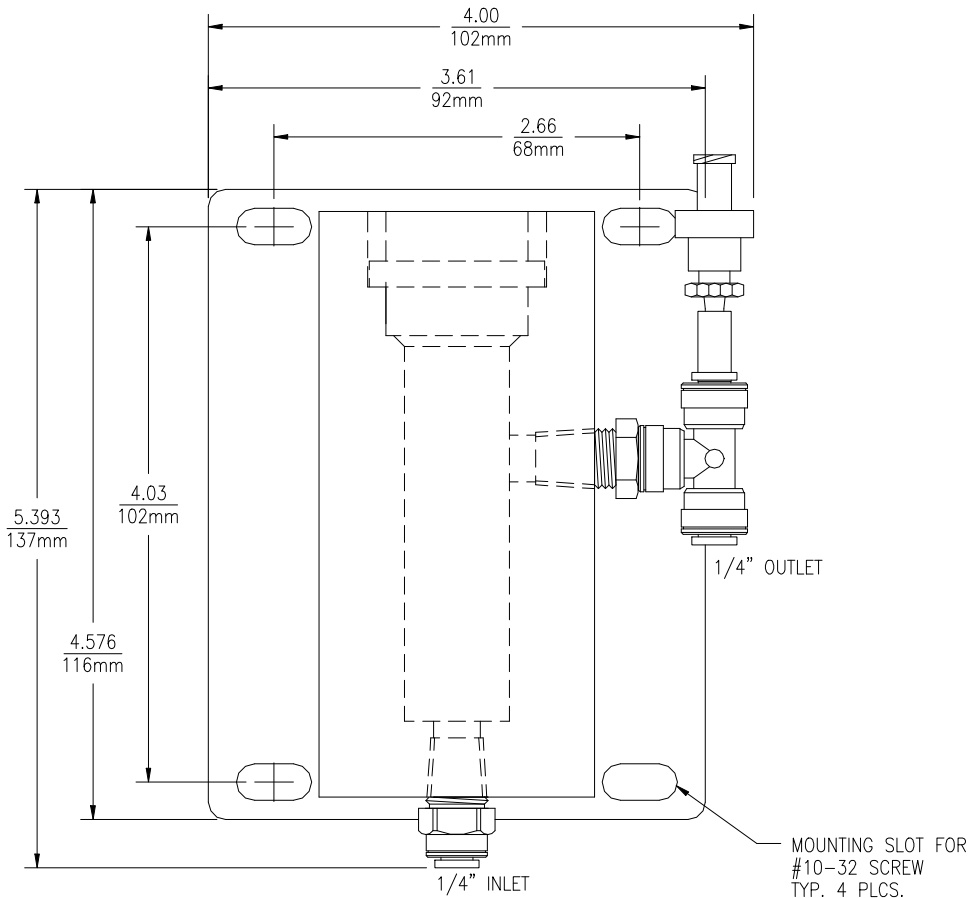
ATI-0927

PANEL MOUNTING DIAGRAM



ATI-0928

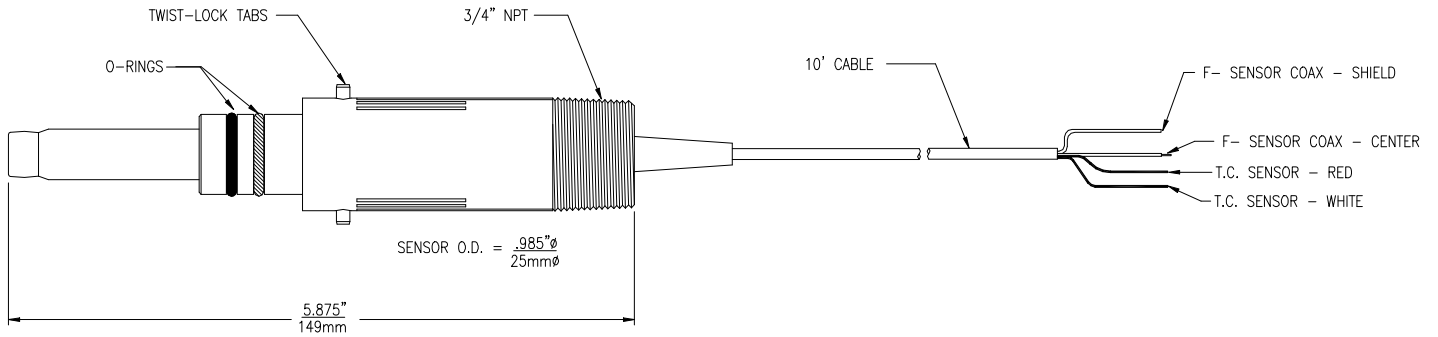
ISE SEALED FLOWCELL ASSEMBLY (00-1691)



Material: Acrylic
Mounting Plate: PVC

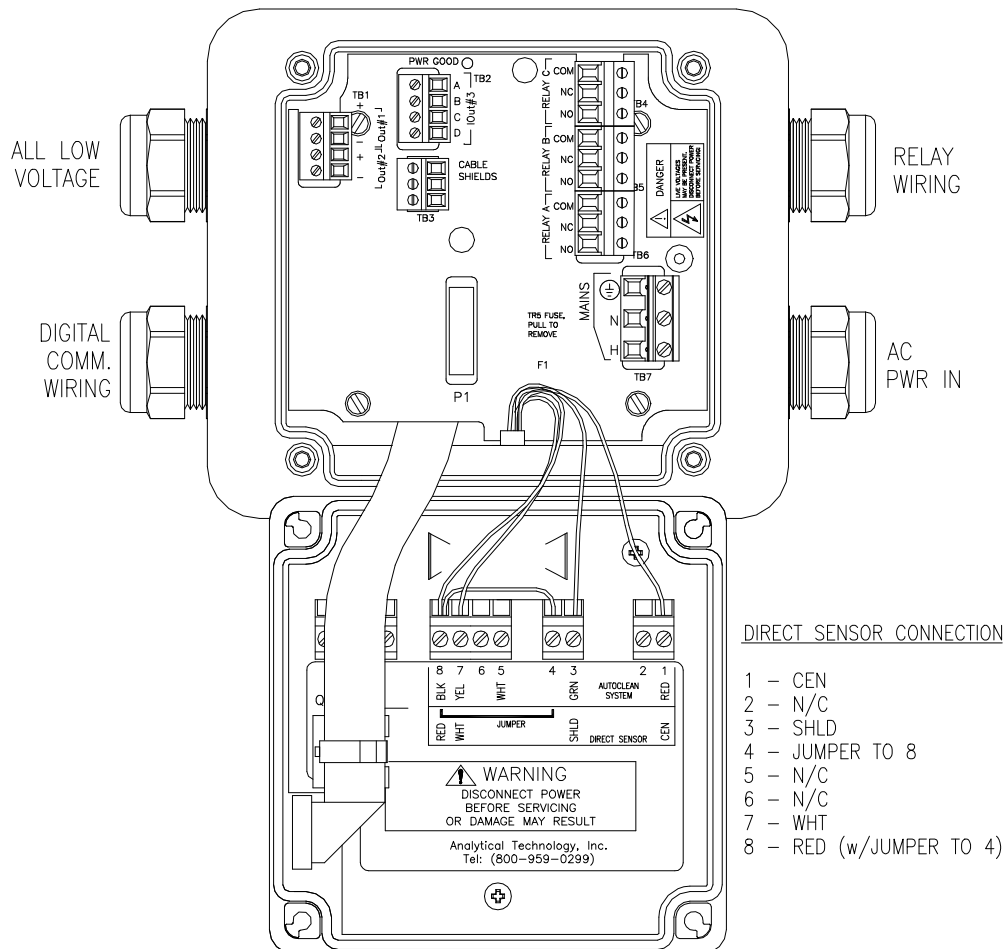
ATI-0864

(63-0090) ISE SENSOR DIMENSIONS



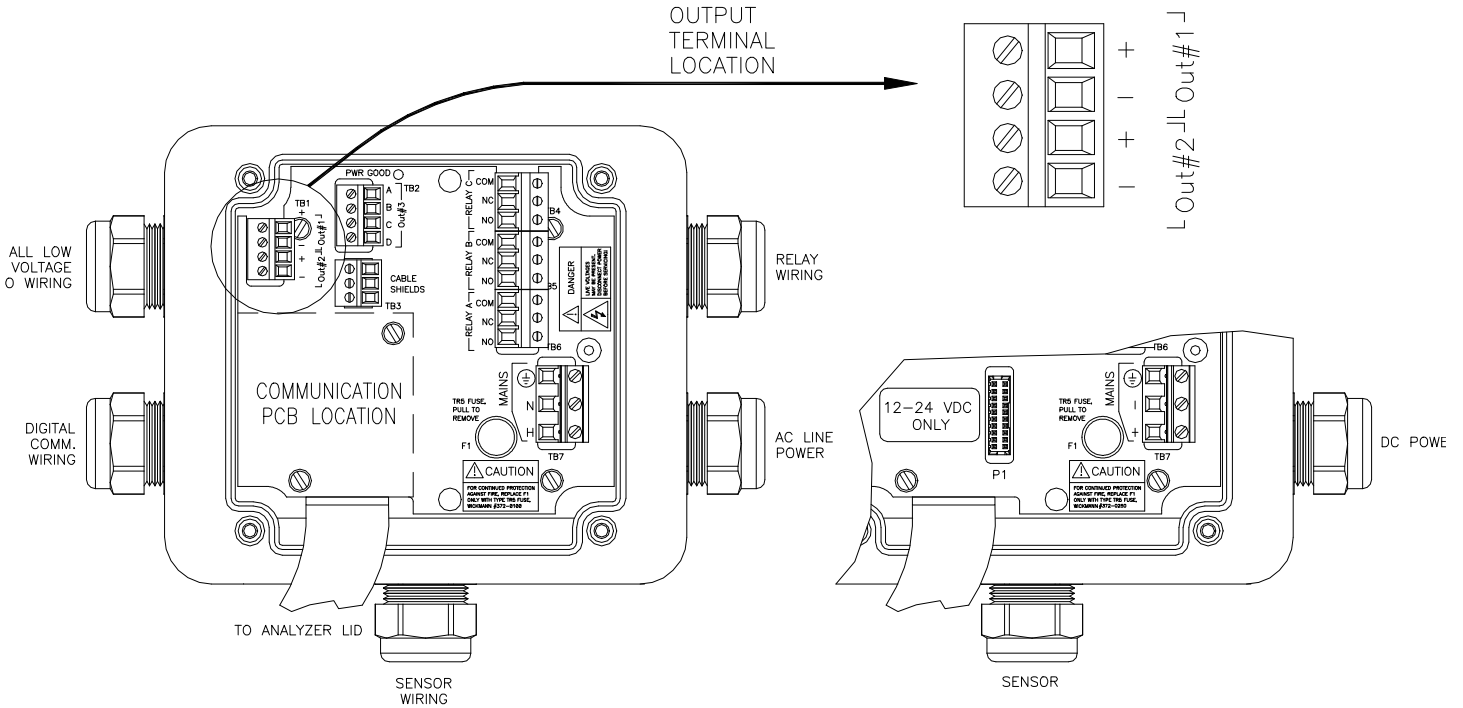
ATI-1046

SENSOR CONNECTIONS



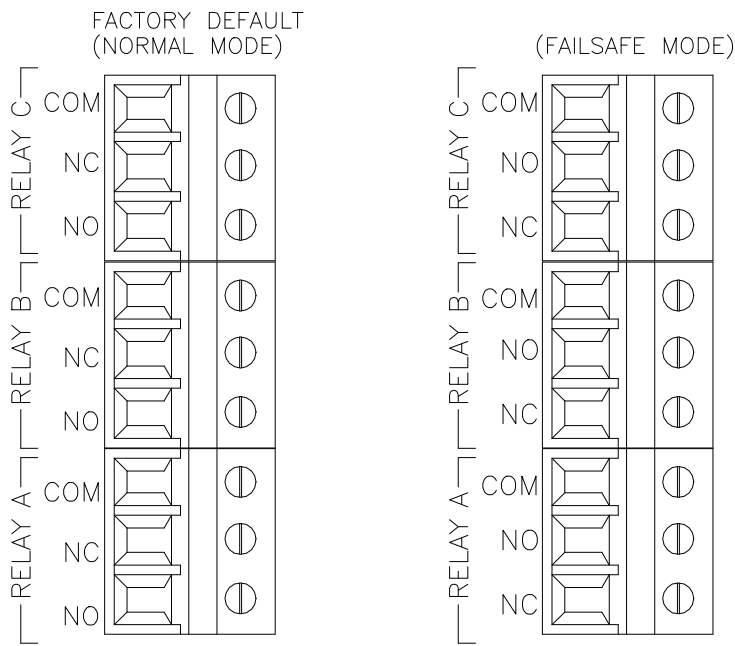
ATI-1052

POWER, RELAY, AND OUTPUT CONNECTIONS



ATI-0930

RELAY WIRING TB4,5,6 DETAIL



ATI-0931