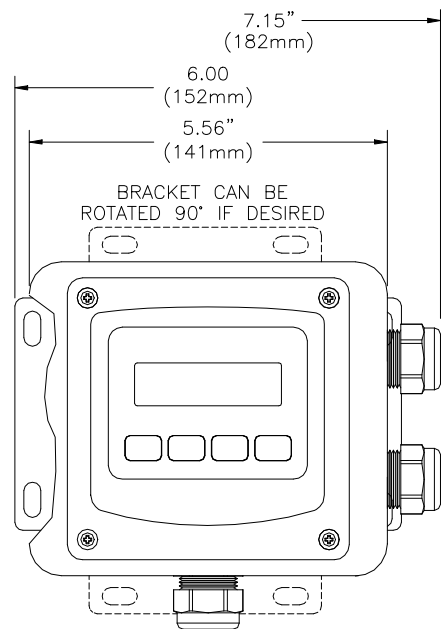
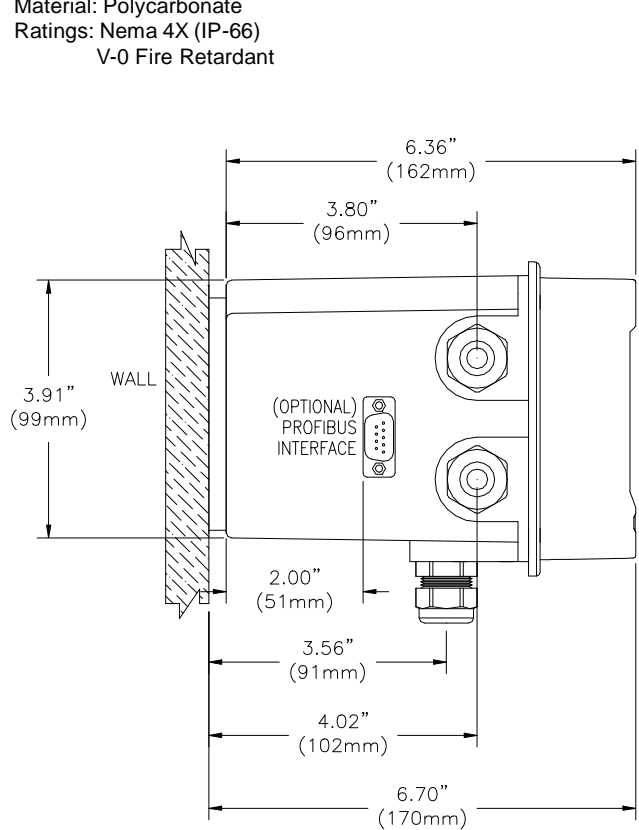


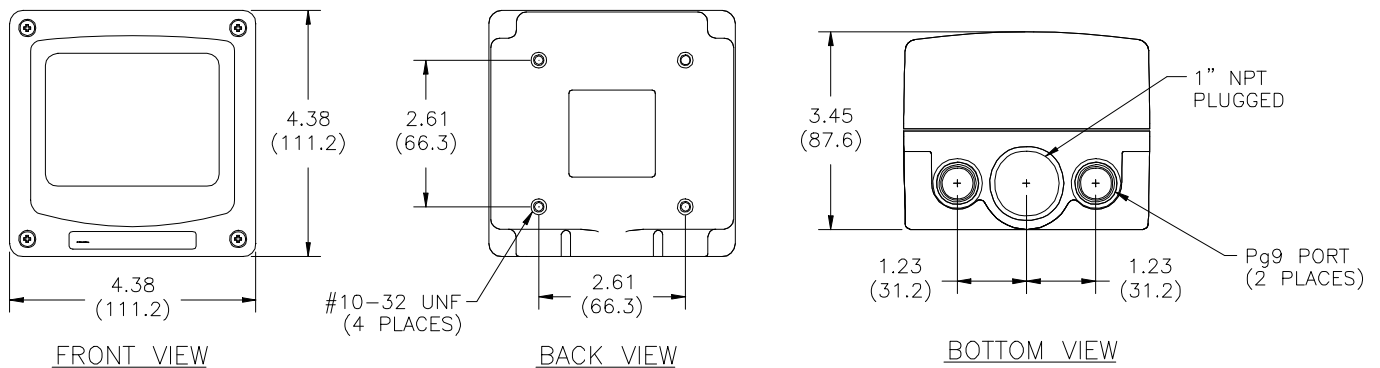
ANALYZER DIMENSIONS (WALL MOUNT SHOWN)

Material: Polycarbonate
 Ratings: Nema 4X (IP-66)
 V-0 Fire Retardant



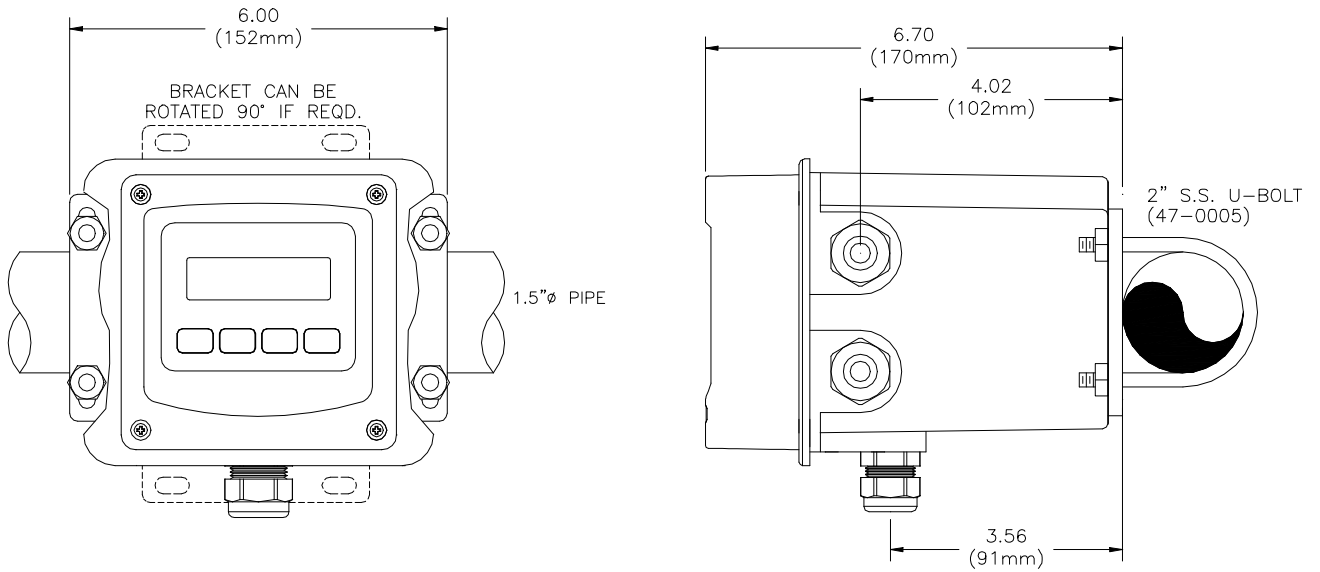
ATI-0926

JUNCTION BOX



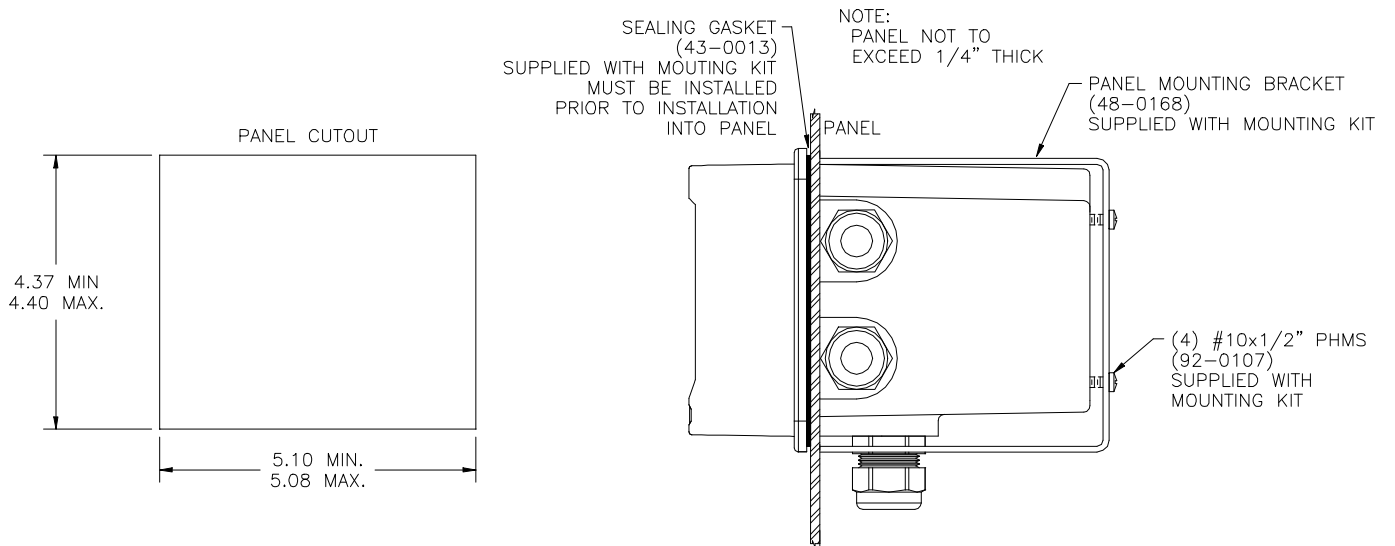
ATI-0655

PIPE MOUNTING



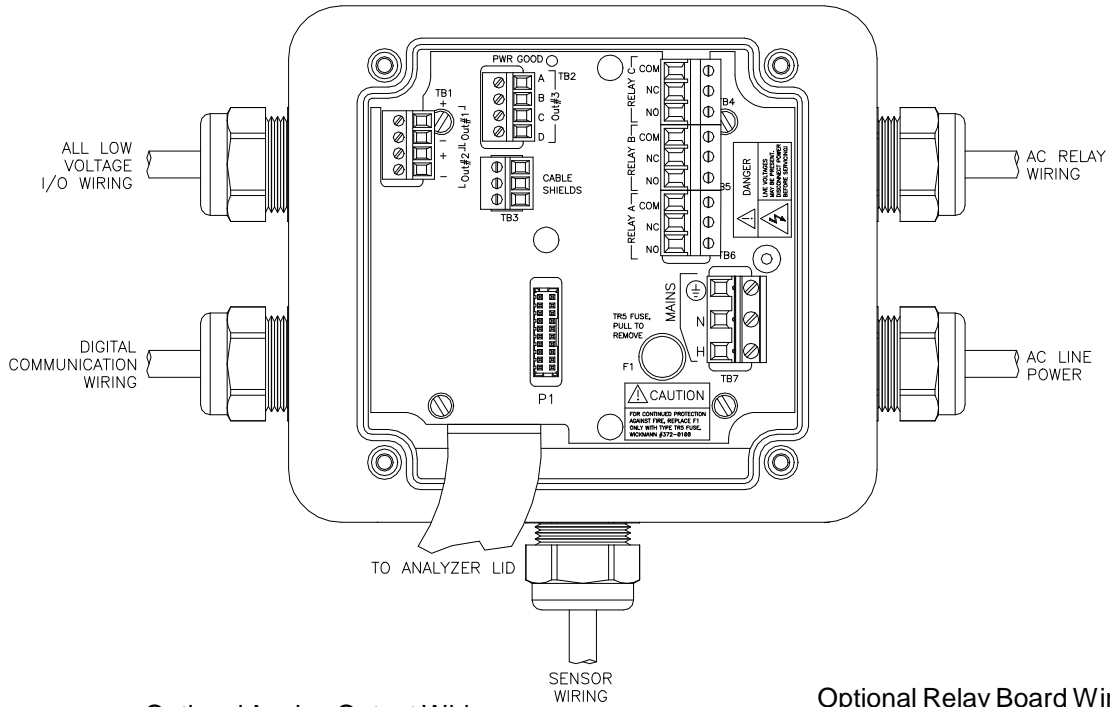
ATI-0927

PANEL MOUNTING DIAGRAM

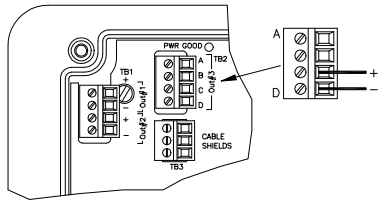


ATI-0928

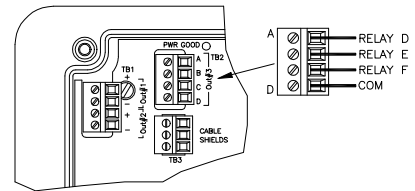
POWER, RELAY, AND OUTPUT CONNECTIONS



Optional Analog Output Wiring



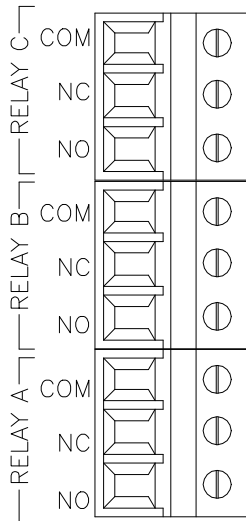
Optional Relay Board Wiring (30V Max.)



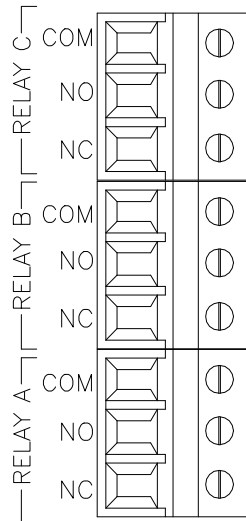
ATI-0930,
0932, 0933

RELAY WIRING TB4,5,6 DETAIL

FACTORY DEFAULT (NORMAL MODE)

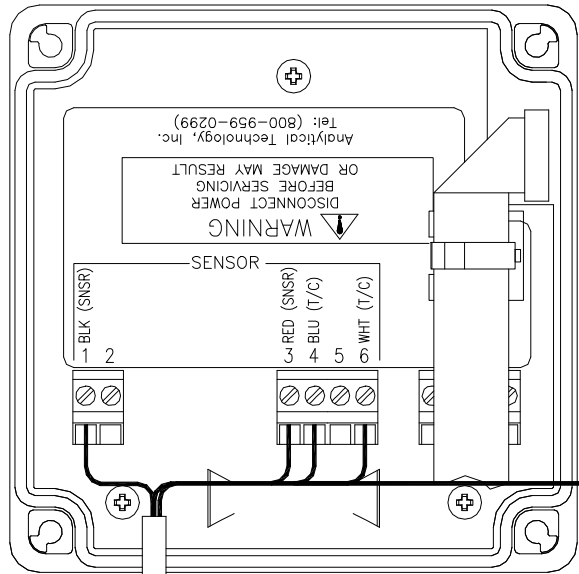


(FAILSAFE MODE)



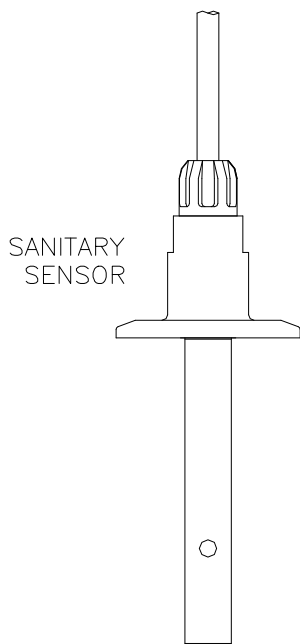
ATI-0931

ELECTRICAL CONNECTIONS

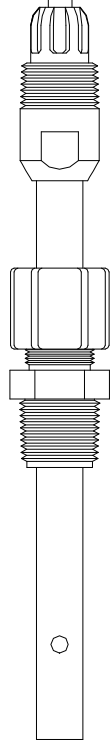


NOTE: SENSOR CONNECTIONS TYPICAL FOR DC POWER OPTION AS WELL

CONNECT BOTH INNER & OUTER CABLE SHIELDS TO T/B LABELED AS "CABLE SHIELDS" LOCATED INSIDE ENCLOSURE BOTTOM OF TRANSMITTER

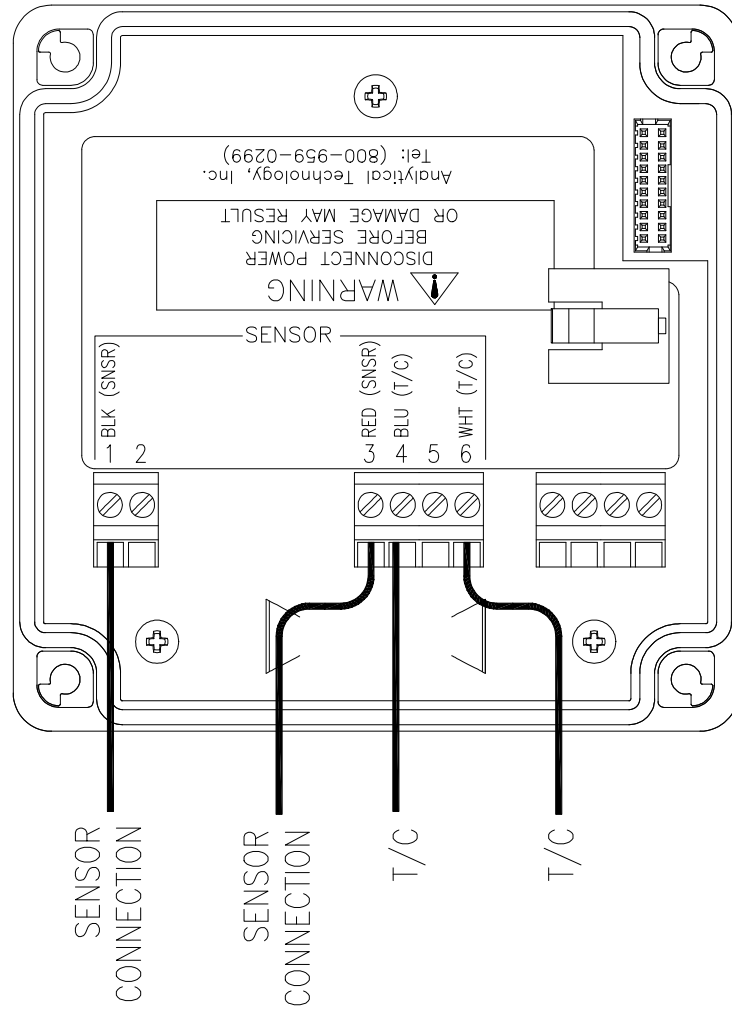


SANITARY SENSOR

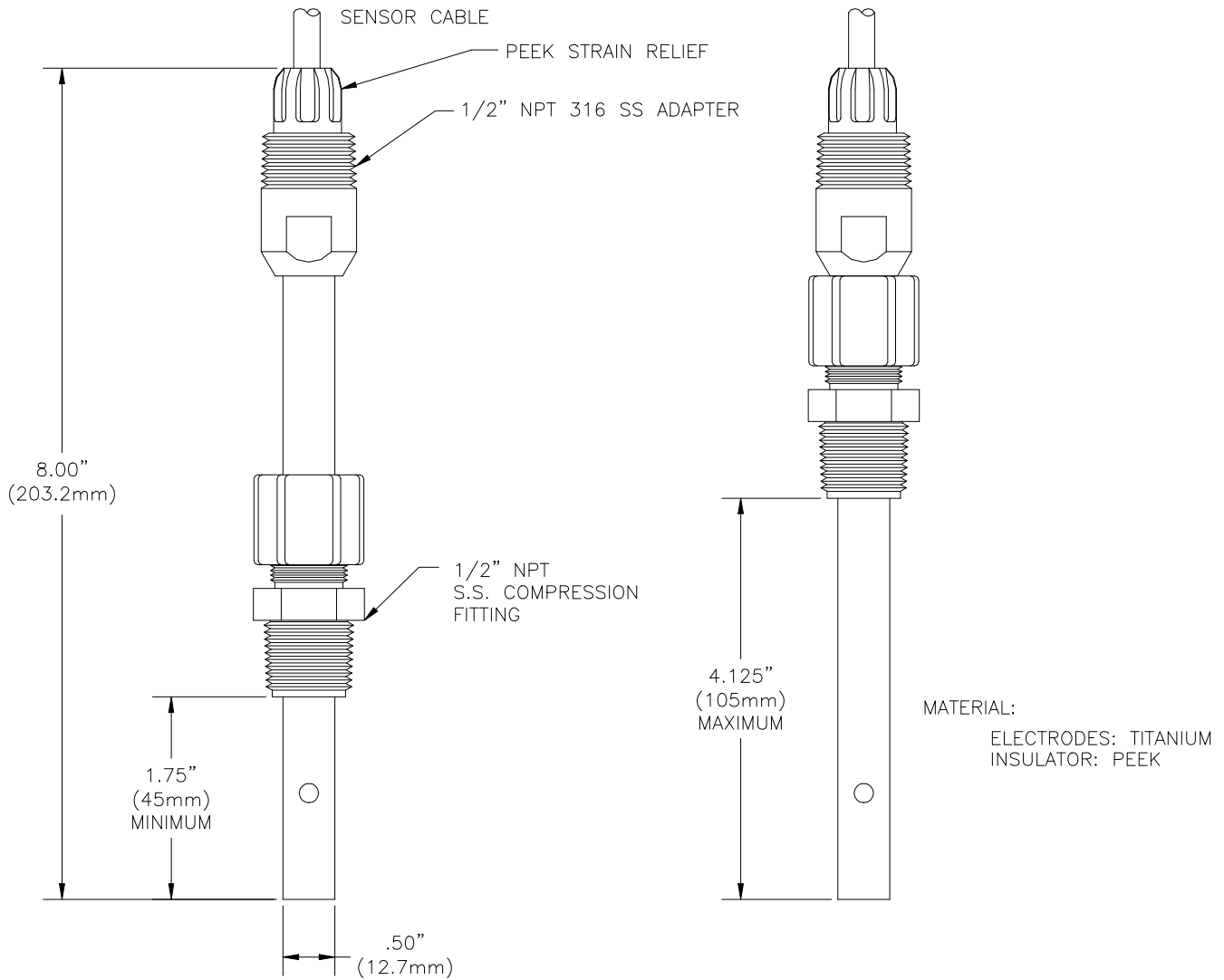


Q25C2 SENSOR

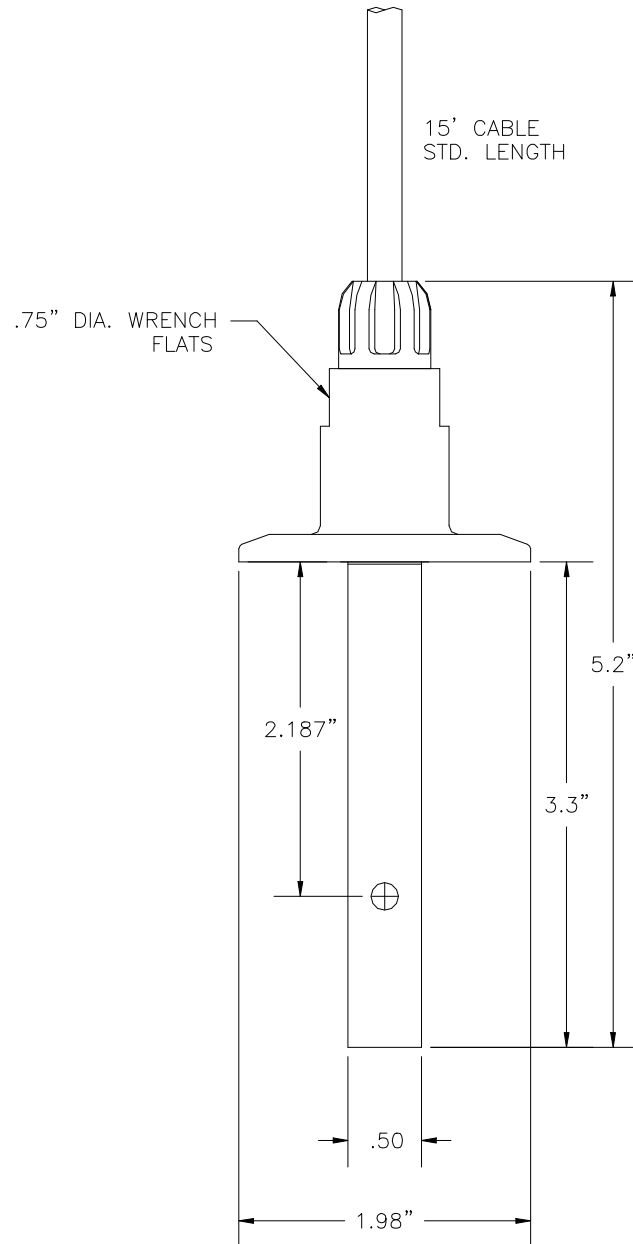
SENSOR CONNECTIONS - OEM SENSORS



ATI-0950

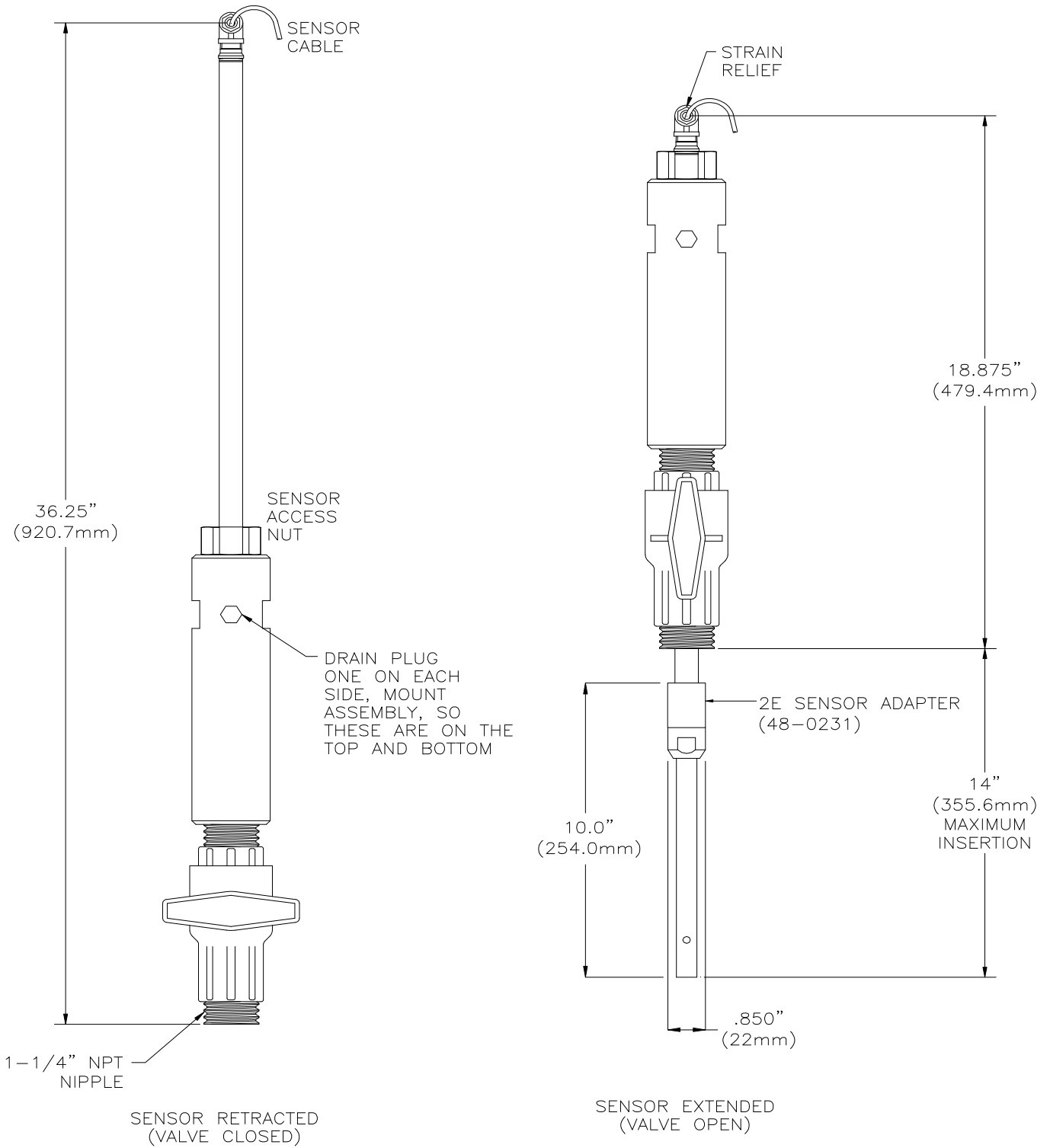
Q25C2 2-ELECTRODE CONDUCTIVITY SENSOR DIMENSIONS

ATI-0741

SANITARY SENSOR DIMENSIONS

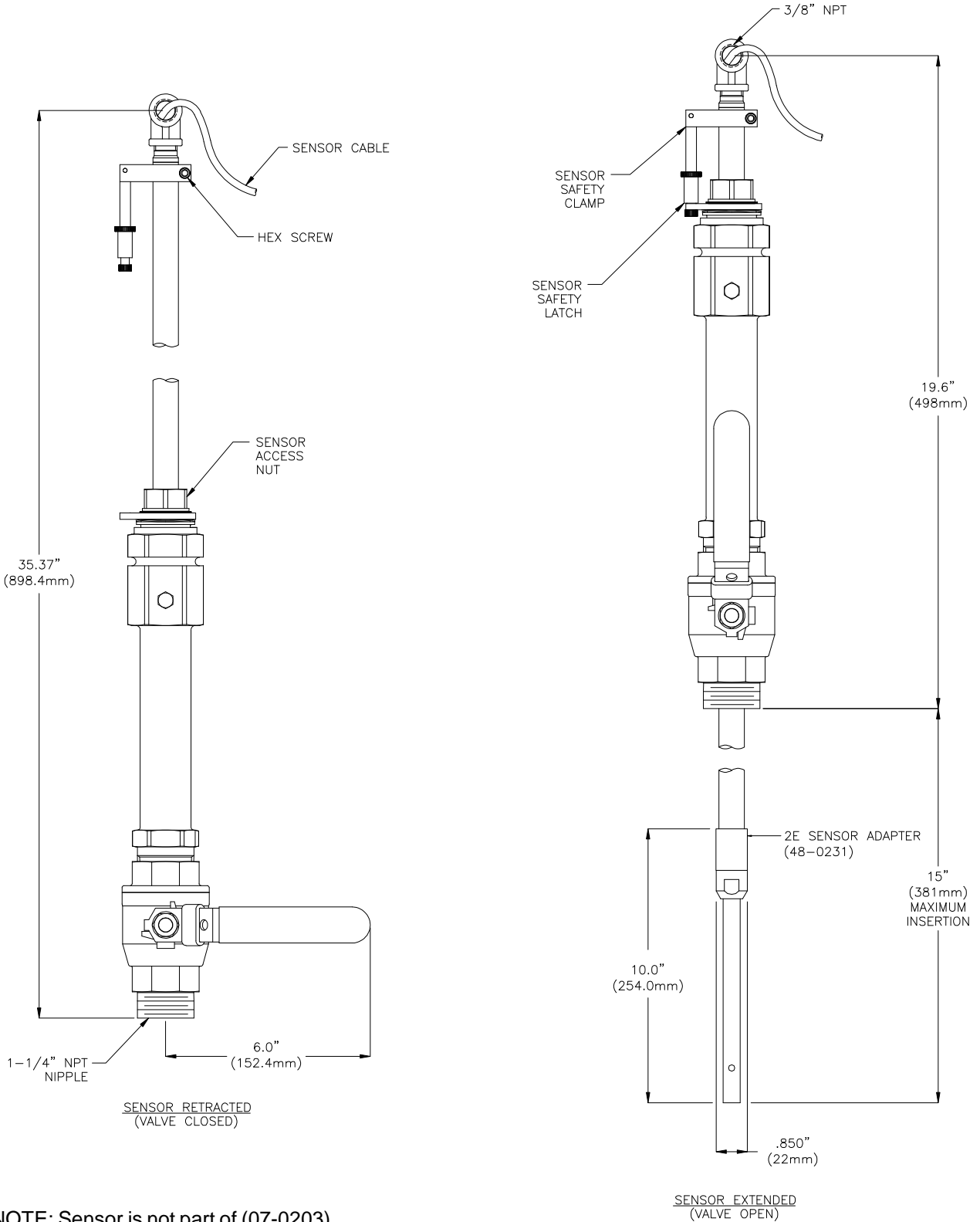
ATI-0919

INSERTION ASSEMBLY DETAIL (07-0223) - (CPVC VERSION)



NOTE: Sensor is not part of (07-0223) insertion assembly

INSERTION ASSEMBLY DETAIL (07-0203) - (SS VERSION)



NOTE: Sensor is not part of (07-0203) insertion assembly