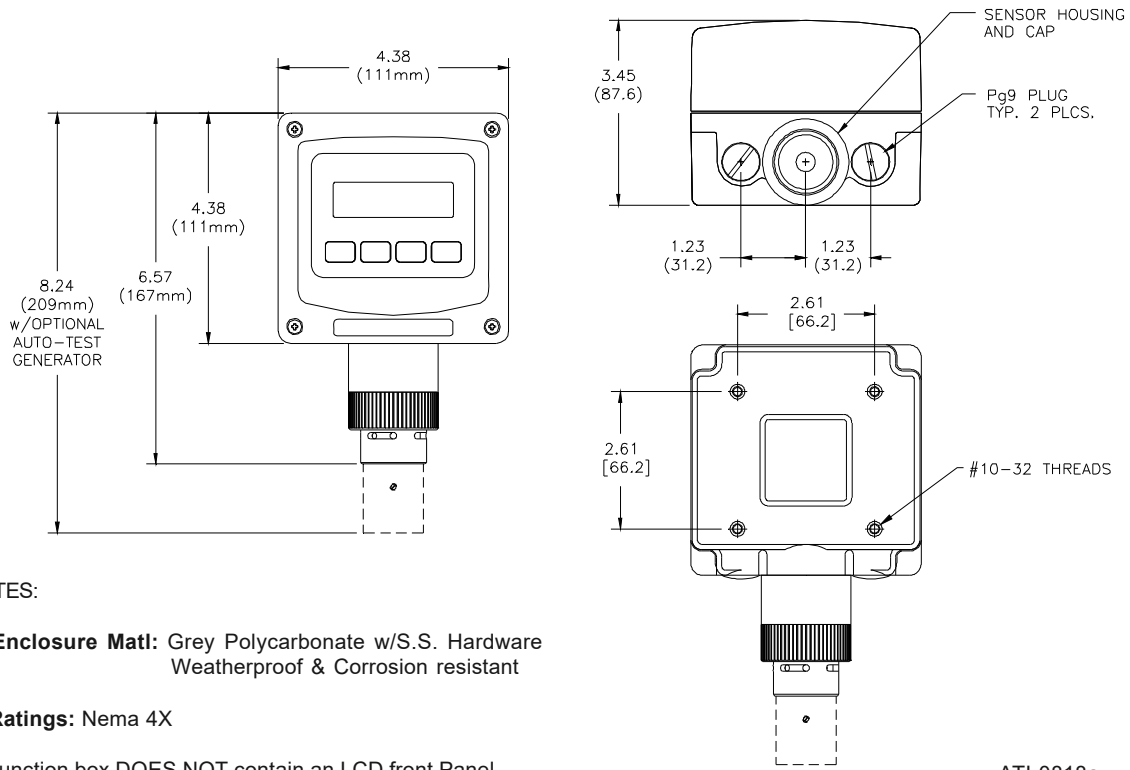


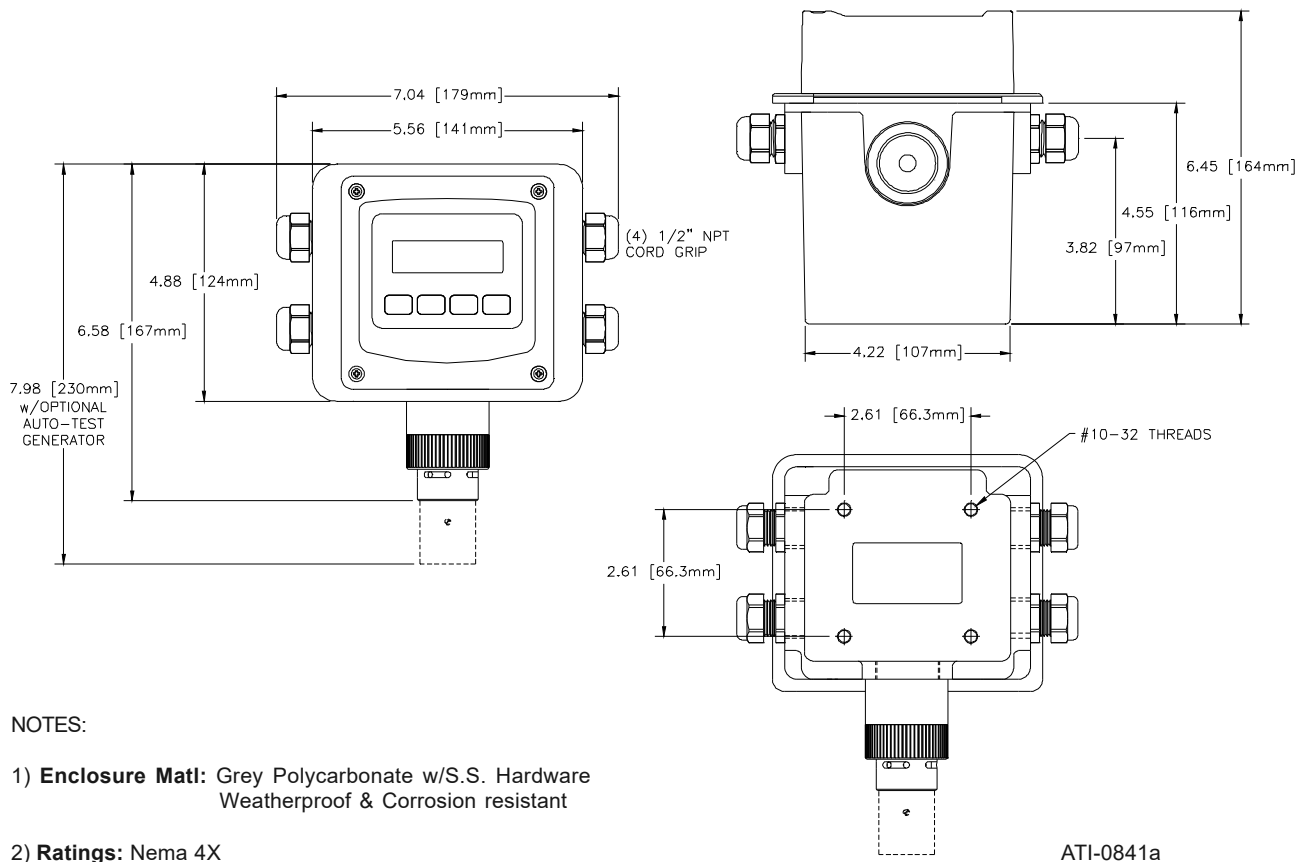
**RS485 & JUNCTION BOX ENCLOSURE DIMENSIONS**



NOTES:

- 1) **Enclosure Matl:** Grey Polycarbonate w/S.S. Hardware  
Weatherproof & Corrosion resistant
- 2) **Ratings:** Nema 4X
- 3) Junction box DOES NOT contain an LCD front Panel

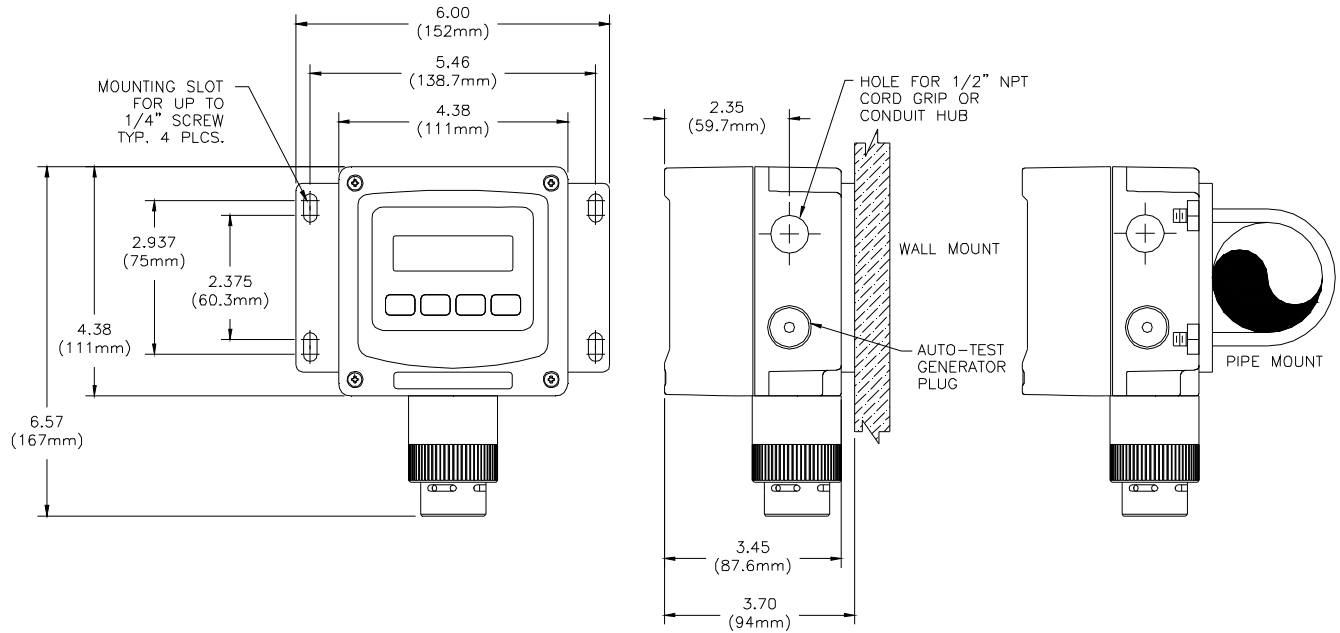
**AC or DC POWERED ENCLOSURE DIMENSIONS**



NOTES:

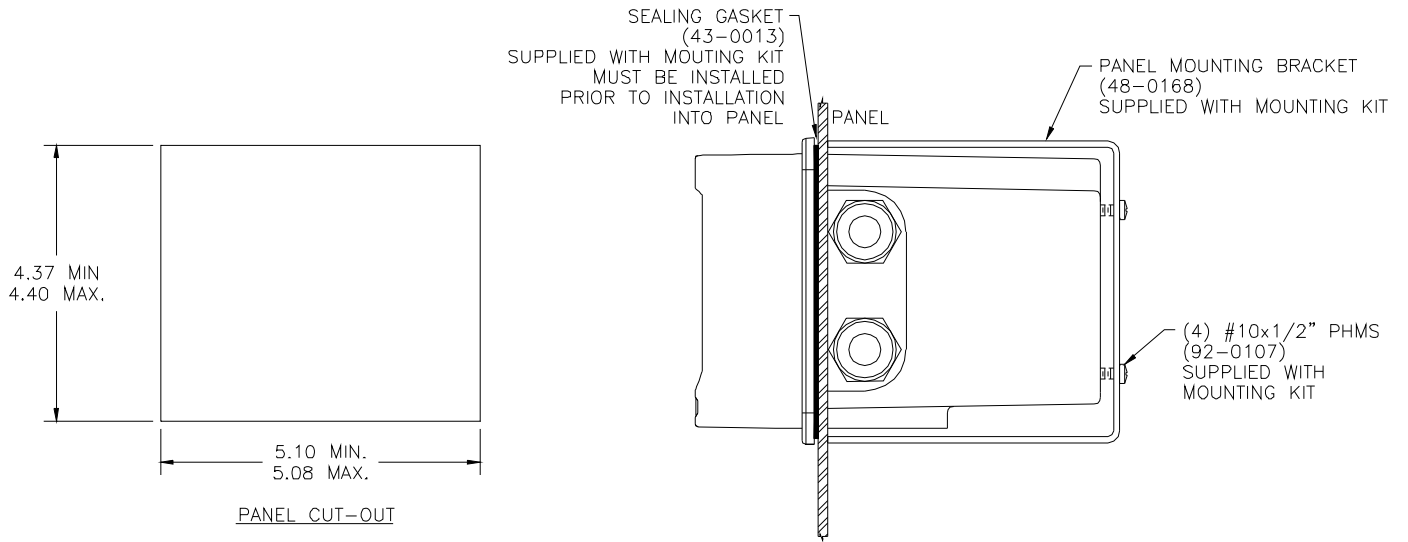
- 1) **Enclosure Matl:** Grey Polycarbonate w/S.S. Hardware  
Weatherproof & Corrosion resistant
- 2) **Ratings:** Nema 4X

**ENCLOSURE MOUNTING OPTIONS**



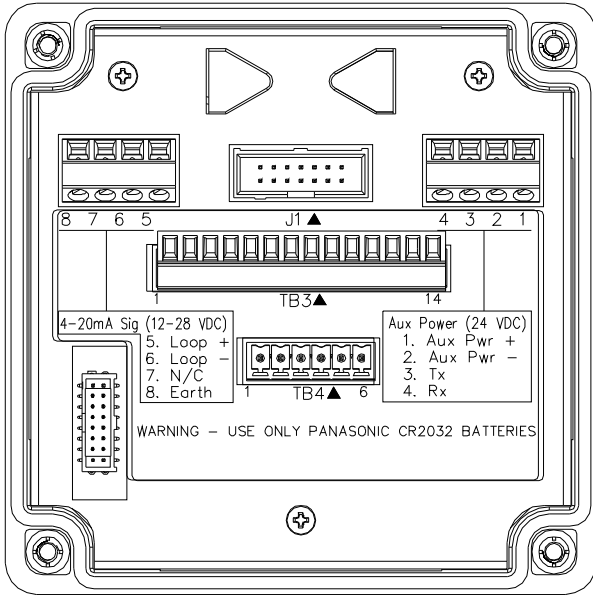
ATI-0821

**PANEL MOUNT TRANSMITTER**



ATI-0842

**TRANSMITTER CONNECTIONS**

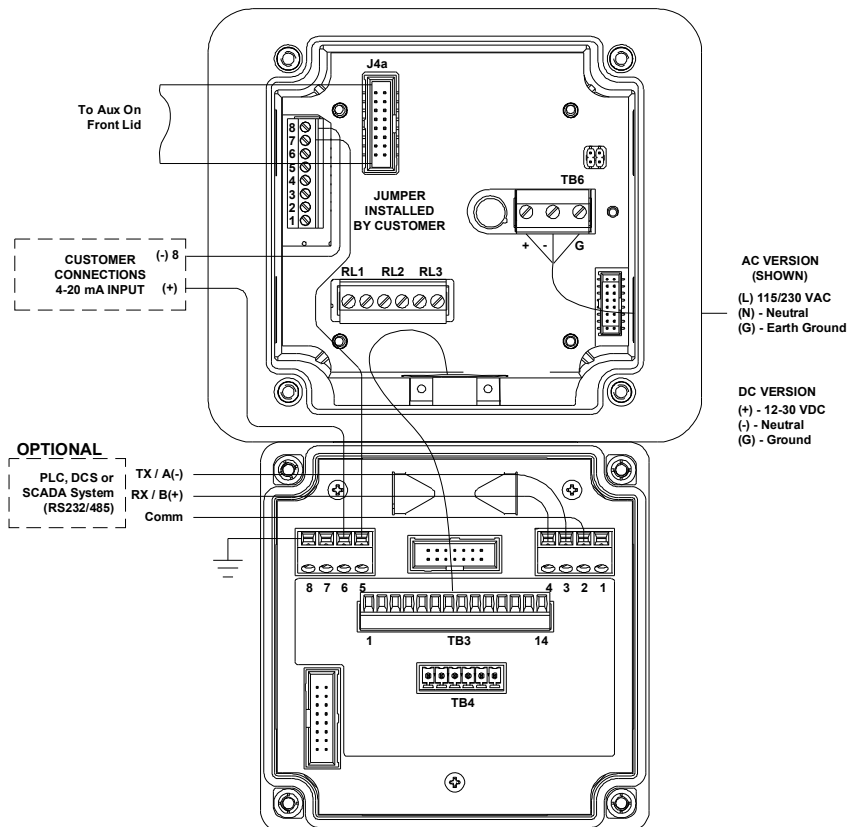


SENSOR CONNECTIONS		
TB3 POSITION	SENSOR WIRES	GENERATOR WIRES
1	WHITE	
2	YELLOW	
3	BLUE	BLUE
4	PURPLE	WHITE
5	GRAY	
6		GREEN
7	BLACK	
8	BROWN	BLACK
9	RED	RED
10	ORANGE	ORANGE
11		WHT/BLK
12	GREEN	

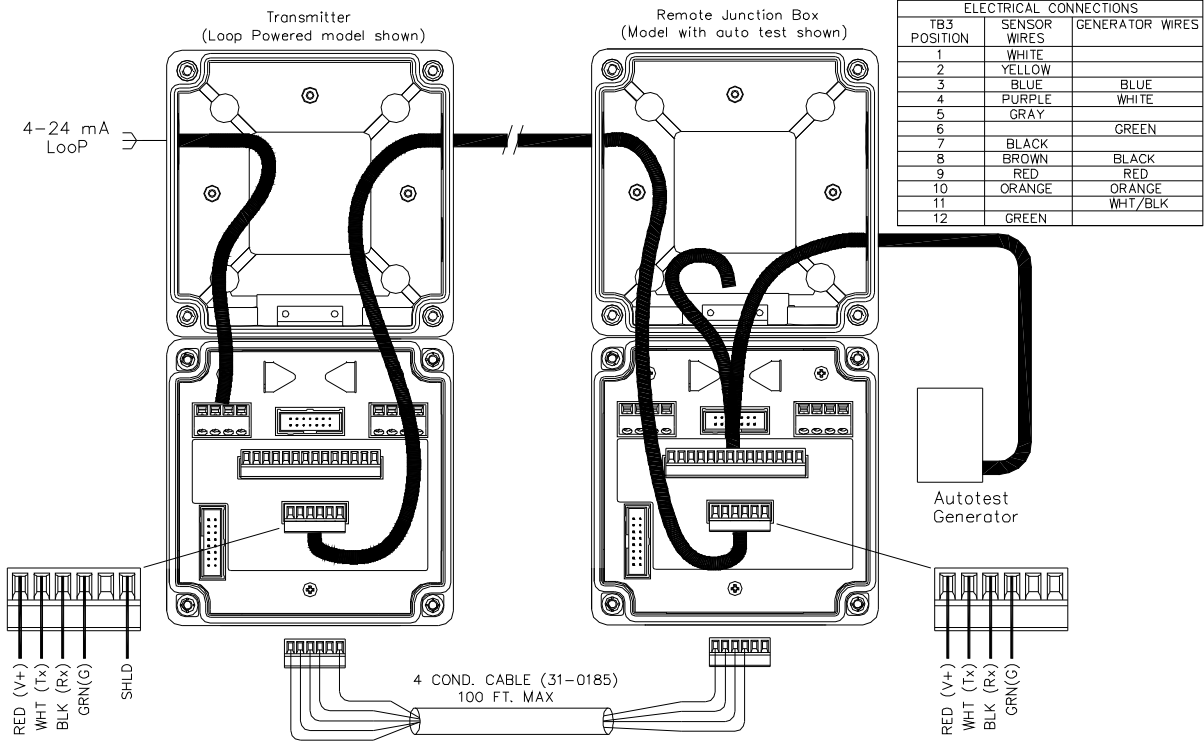
Power & Communication Terminals	
Terminal	Description
1	Communication interface supply (+), 10 to 28VDC. Required for RS232 and RS485 only, not HART.
2	Communication interface supply common (-)
3	RS232 Tx, RS485 A Signal
4	RS232 Rx, RS485 B Signal
5	Transmitter current loop output (-).
6	Transmitter current loop output (-).
7	Communication interface signal common (-).
8	Earth Ground

ATI-0844

**POWERED 4-20mA OUTPUT WIRING**

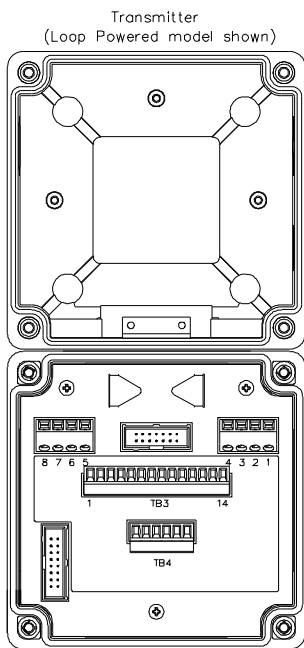


**REMOTE SYSTEM INTERCONNECT WIRING DIAGRAM**



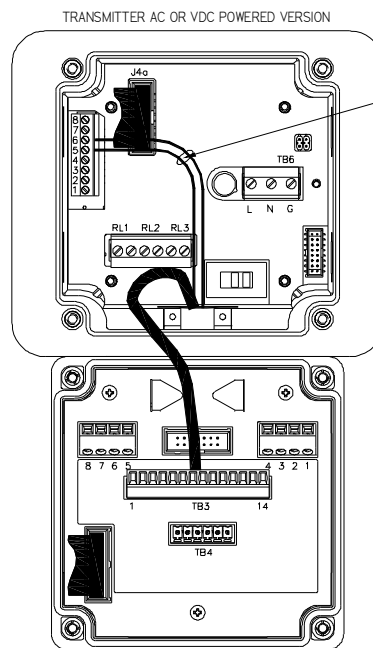
ATI-0840

**HEATED SENSOR WIRING DIAGRAMS**



ELECTRICAL CONNECTIONS		
TB3 POSITION	SENSOR WIRES	GENERATOR WIRES
1	WHITE	
2	YELLOW	
3	BLUE	BLUE
4	PURPLE	WHITE
5	GRAY	
6		GREEN
7	BLACK	
8	BROWN	BLACK
9	RED	RED
10	ORANGE	ORANGE
11		WHT/BLK
12	GREEN	
13	* PINK	
14	* PINK	

\* IF USING THE 6 FT. HEATED SENSOR (00-1878) RED WIRES WILL BE CONNECTED IN PLACE OF PINK WIRES



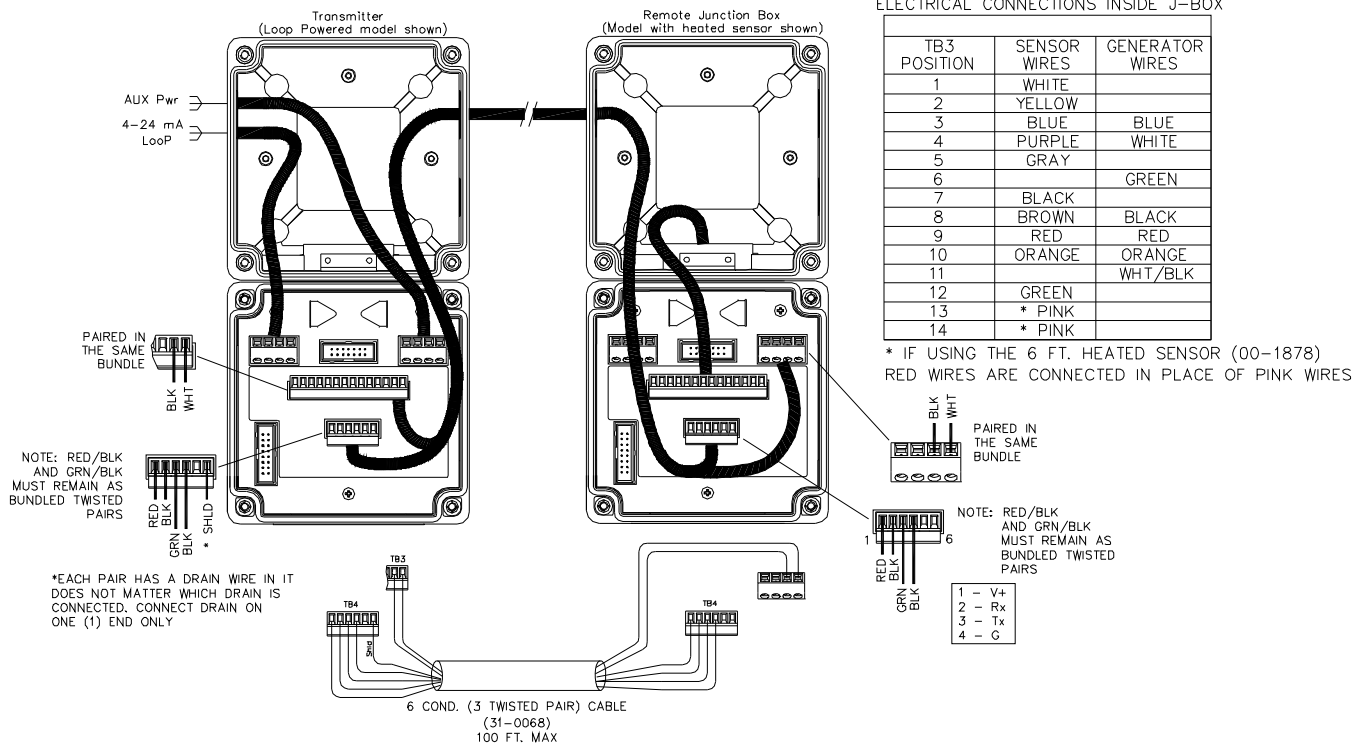
IF USING CLOSE COUPLED HEATED SENSOR (00-1699), WIRE COLORS WILL BE PINK

IF USING 6 FT. HEATED SENSOR (00-1878), WIRE COLORS WILL BE RED.

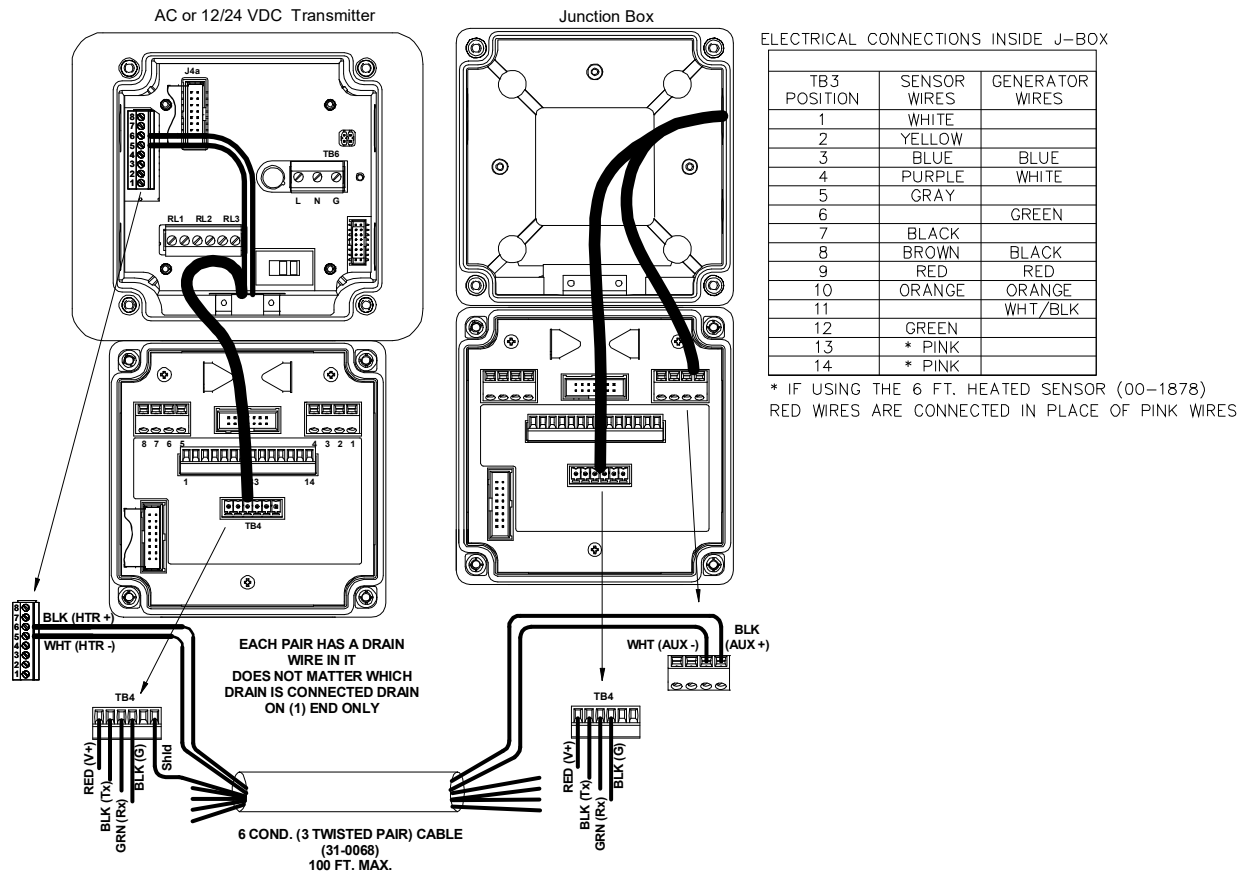
Conductor Colors		
T/B Pos	Sensor Wires	Generator Wires
1	WHITE	
2	YELLOW	
3	BLUE	BLUE
4	PURPLE	WHITE
5	GRAY	
6		GREEN
7	BLACK	
8	BROWN	BLACK
9	RED	RED
10	ORANGE	ORANGE
11		WHT / BLK
12	GREEN	

ATI-0903

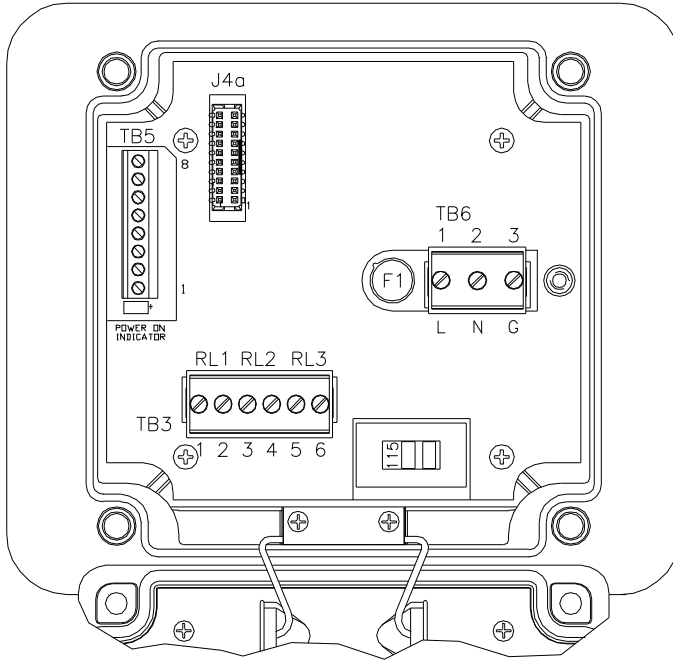
**REMOTE SYSTEM (w/HEATED SENSOR) INTERCONNECT WIRING DIAGRAM (LOOP POWERED)**



**REMOTE SYSTEM (w/HEATED SENSOR) INTERCONNECT WIRING DIAGRAM (AC OR VDC POWERED)**



**RELAY BOARD CONNECTIONS**



J4a  
CONNECTS TO (AUX)  
ON FRONT LID OF TRANSMITTER

TB3  
1 - RL1 Contact NO  
2 - RL1 Contact C  
3 - RL2 Contact NO  
4 - RL2 Contact C  
5 - RL3 Contact NC  
6 - RL3 Contact C

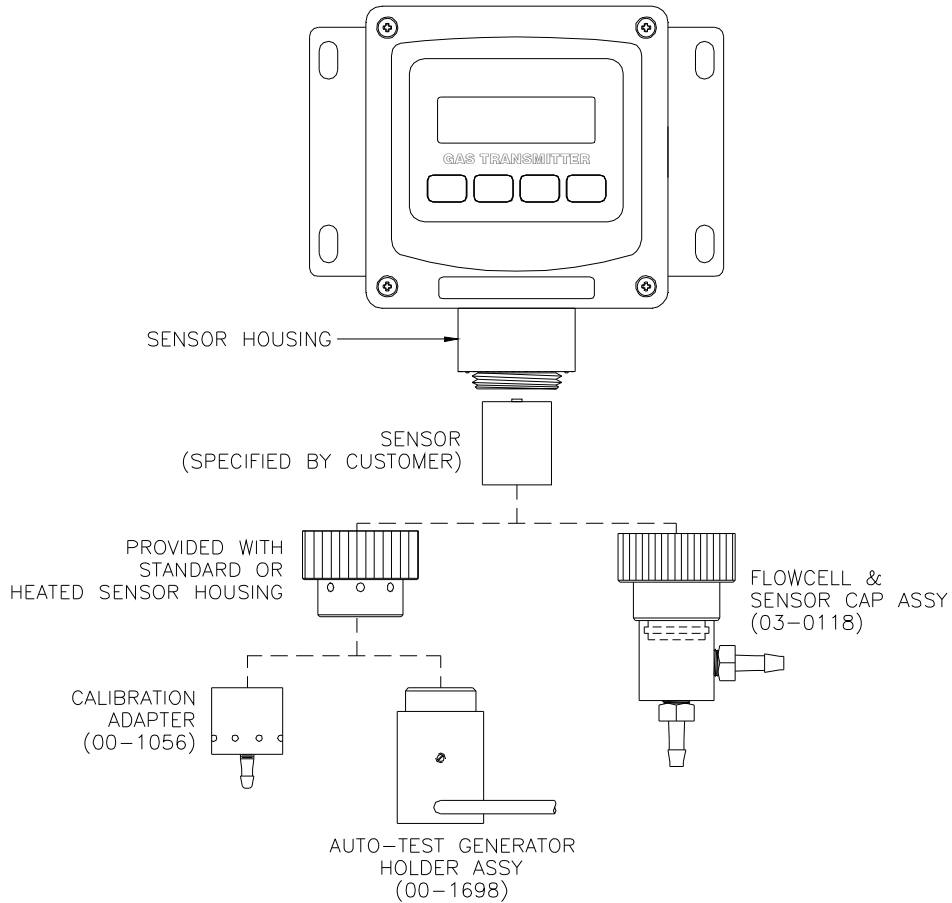
TB5  
1 - RS232/485 Power (+)  
2 - Remote Reset (+)  
3 - Remote Reset (-)  
4 - RS232/485 Power (-)  
5 - Heater (Lo)  
6 - Heater (Hi)  
7 - Loop Power (+)  
8 - Loop Power (-)

TB6 - (AC PWR)  
1 (L) - 115/230VAC, 60/50 Hz.  
2 (N) - Neutral  
3 (G) - Ground

TB6 - (DC PWR)  
1 (+) - 12-30VDC  
2 (-) - COMMON  
3 (G) - Ground

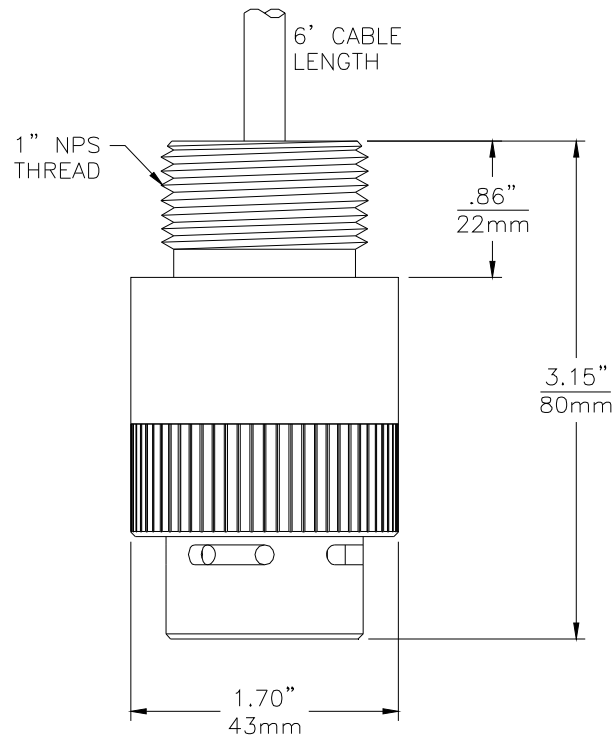
ATI-0847

**TRANSMITTER ACCESSORIES**



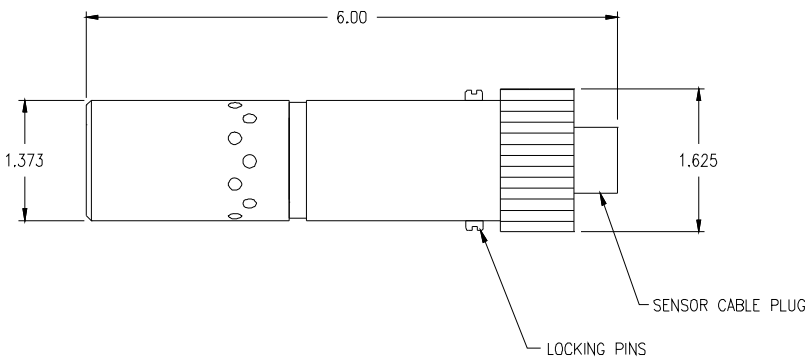
ATI-0820

**6ft. REMOTE SENSOR DIMENSIONS  
(00-1702)**



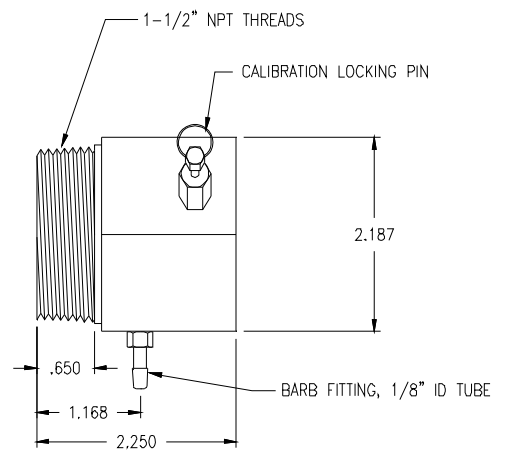
ATI-1032

**INSERTION SENSOR DIMENSIONS**



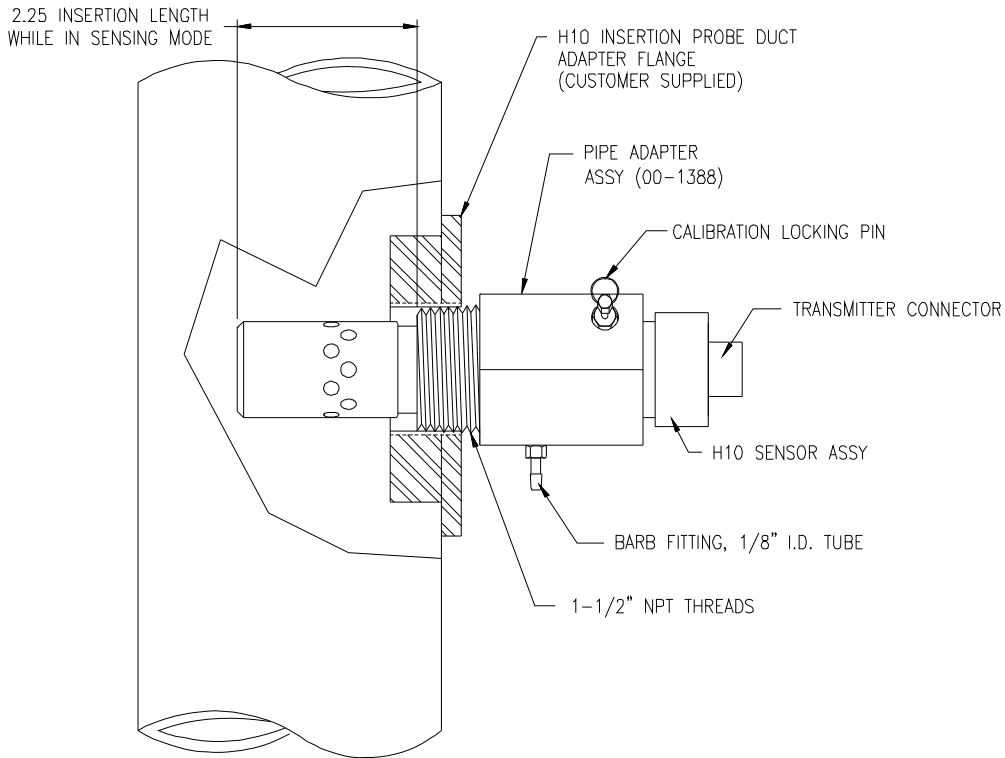
ATI-0669

**PIPE ADAPTER DIMENSIONS**



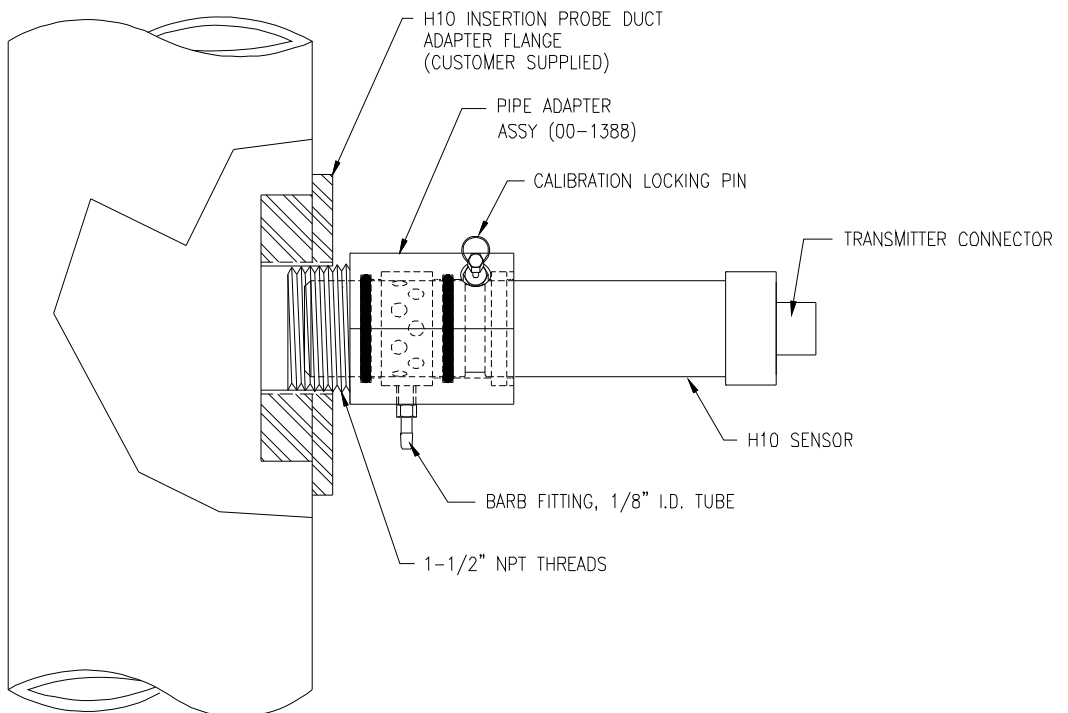
ATI-0670

**INSERTION PROBE - OPERATING MODE**



ATI-0663

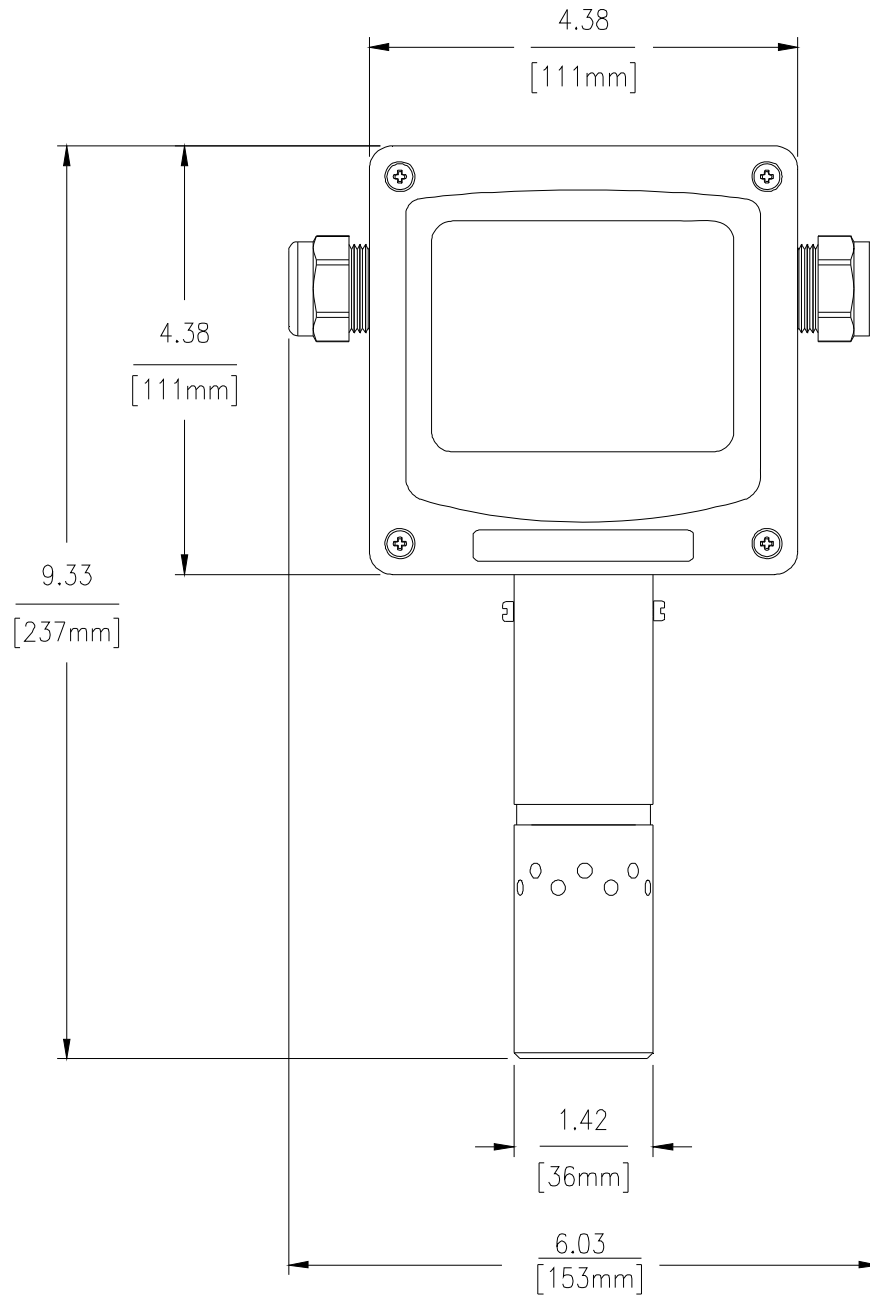
**INSERTION PROBE - CALIBRATING MODE**



ATI-0664

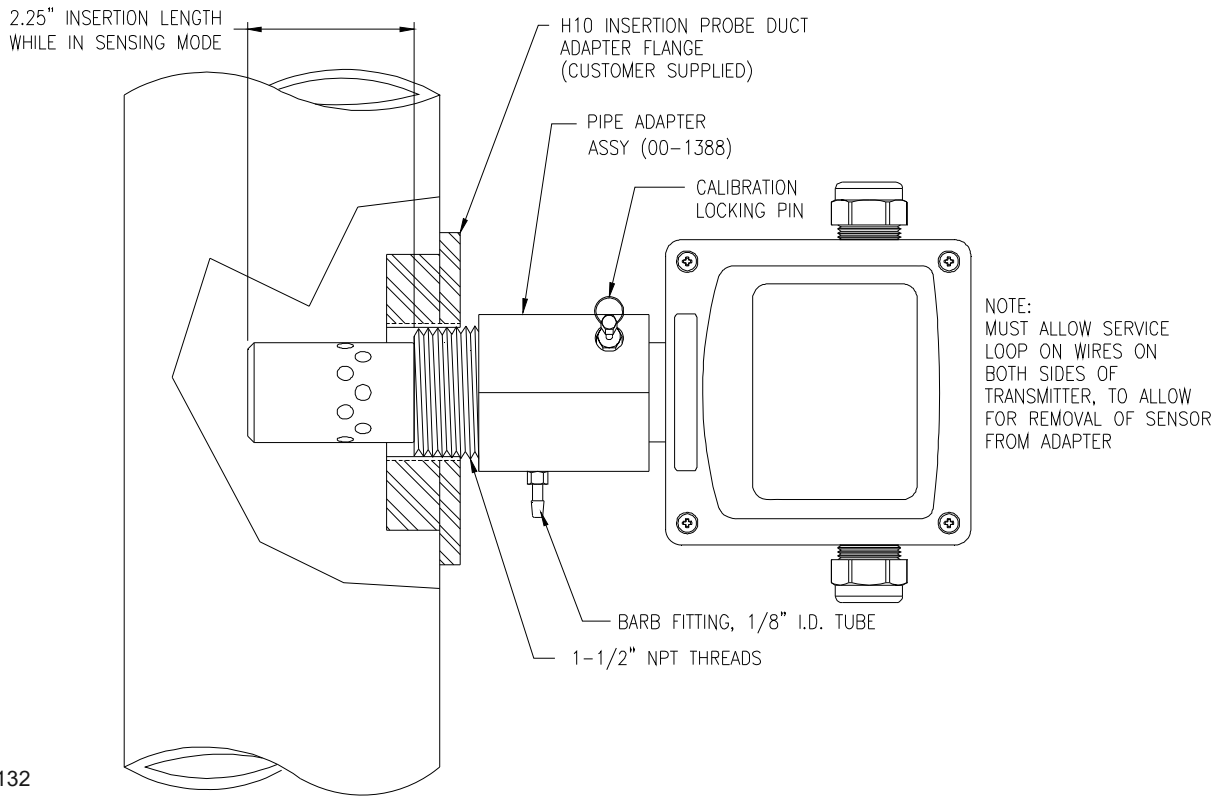


**INTEGRAL INSERTION PROBE - DIMENSIONS**

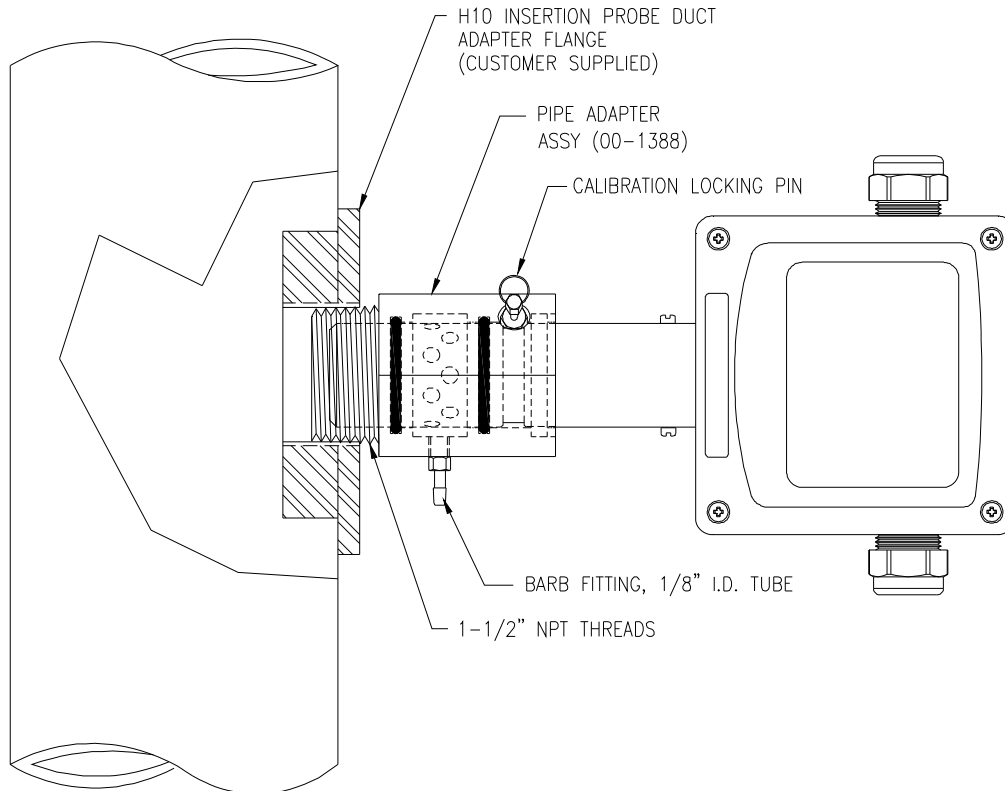


ATI-1131

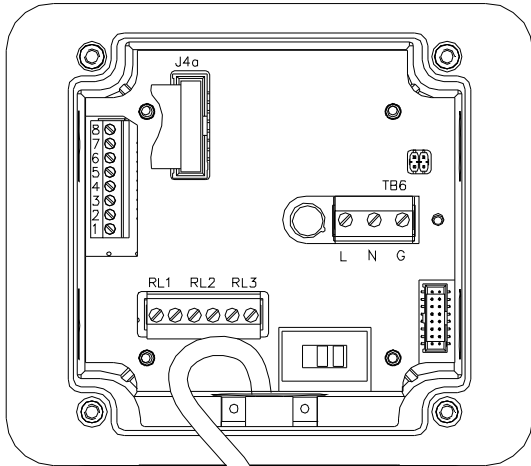
**INTEGRAL INSERTION PROBE - OPERATING MODE**



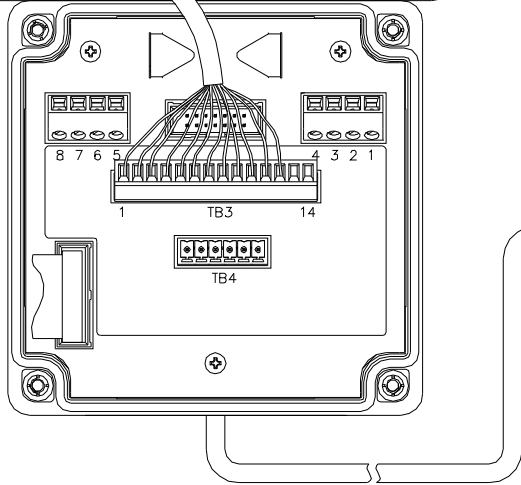
**INSERTION PROBE - CALIBRATING MODE**



**INSERTION PROBE - WIRING DIAGRAM**



Conductor Colors	
TB3 Pos	Sensor Wires
1	WHITE FROM SHLD
2	BROWN
3	RED & (2) DRAINS
4	BLACK
5	YELLOW
6	GREEN
7	BLUE
8	VIOLET
9	GRAY
10	WHITE
11	BLK/WHT
12	BLU/WHT
13	N/C
14	NC



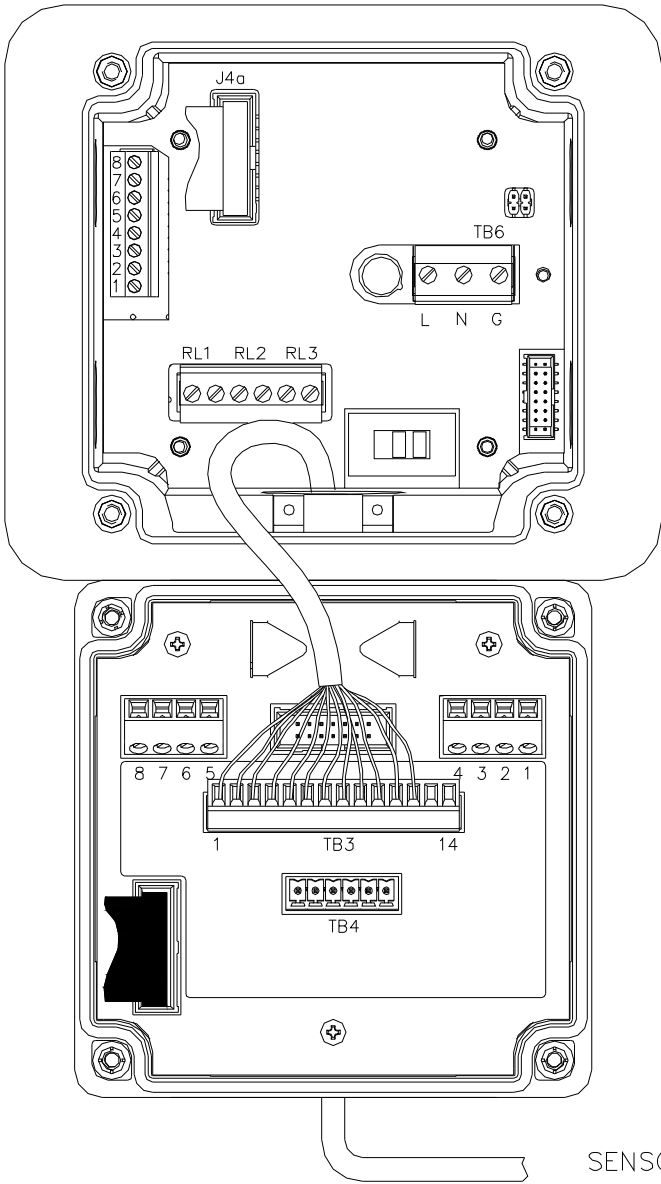
SENSOR CABLE ASSY  
(03-0414)

H10 INSERTION SENSOR  
(00-1649)



ATI-0876

**6 FT. SENSOR CABLE - WIRING DIAGRAM**



Conductor Colors	
TB3 Pos	Sensor Wires
1	WHITE
2	YELLOW
3	BLUE & (2) DRAINS
4	PURPLE
5	GRAY
6	N/C
7	BLACK
8	BROWN
9	RED
10	BLK w/ WHITE
11	N/C
12	GREEN
13	N/C
14	NC

SENSOR HOUSING w/ 6 FT CABLE

ATI-0890